

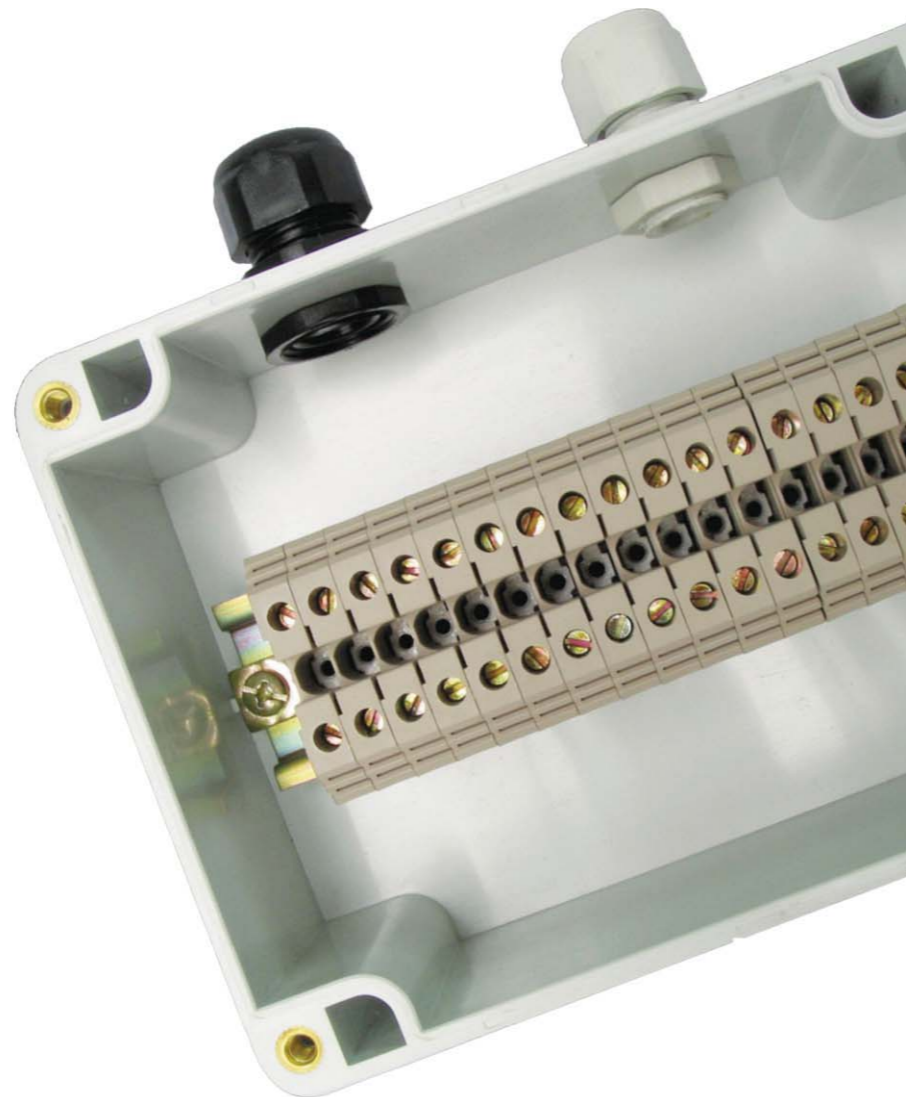
ENCLOSURES AND CABLE GLANDS

General information

- > It is used for the branching and polymerization of the cable loop in the control electrical return circuit under 1000V. They are the ideal indoor and outdoor electrical control circuit devices in modern industrial areas.
- > The series of products can constitute electrical power boxes, control boxes, signal boxes and other devices by installing connecting terminals, cable joints, button switches or signal lights.

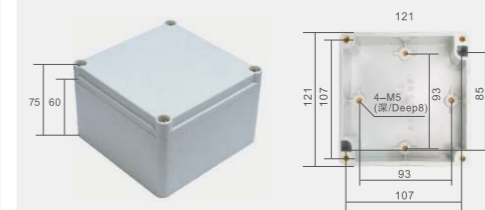
Features

- > Good electric insulation properties
- > High mechanical strength
- > Good fire-resistant
- > Strong corrosion resistance
- > Wide operating temperature range
- > High-level protection

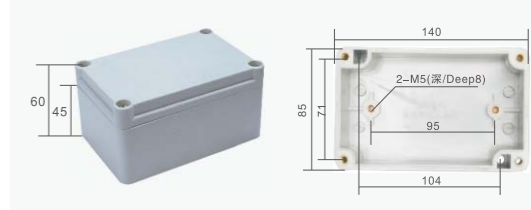


ENCLOSURES AND CABLE GLANDS

B01-B02

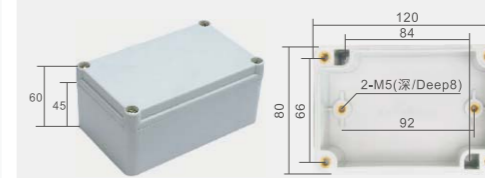


JXH-1B

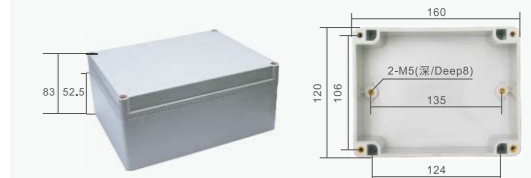


JXH-1C

Ordering data	Color	Type	Oder No.	Type	Oder No.
	Light grey	JXH-1B	818022	JXH-1C	818023
Dimensions					
Exterior length/ width/ height (mm)		121/121/75		140/85/60	
Cavity length/ width/ height (mm)		113/113/61.5		132/77/46.5	
Installation size length/ width (mm) Screw M5		107/85		104/71	
Technical data					
Materials		Polycarbonate		Polycarbonate	
Sealing materials		Neoprene		Neoprene	
Operating temperature		-40°C ~ +85°C		-40°C ~ +85°C	
Protection grade		IP66		IP66	

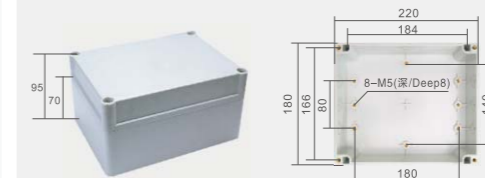


JXH-1D

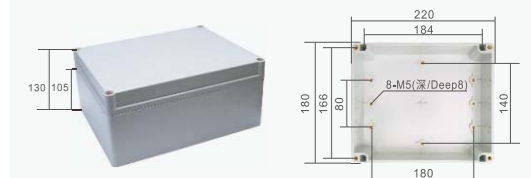


JXH-2A

Ordering data	Color	Type	Oder No.	Type	Oder No.
	Light grey	JXH-1D	818024	JXH-2A	818025
Dimensions					
Exterior length/ width/ height (mm)		120/80/60		160/120/83	
Cavity length/ width/ height (mm)		106/68/46.5		149/109/70	
Installation size length/ width (mm) Screw M5		84/66		124/106	
Technical data					
Materials		Polycarbonate		Polycarbonate	
Sealing materials		Neoprene		Neoprene	
Operating temperature		-40°C ~ +85°C		-40°C ~ +85°C	
Protection grade		IP66		IP66	



JXH-3A

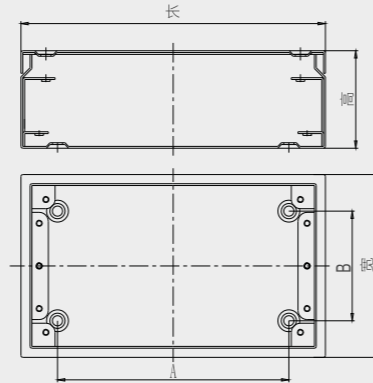


JXH-3B

Ordering data	Color	Type	Oder No.	Type	Oder No.
	Light grey	JXH-3A	818026	JXH-3B	818027
Dimensions					
Exterior length/ width/ height (mm)		220/180/95		220/180/130	
Cavity length/ width/ height (mm)		207/167/81.5		207/167/124	
Installation size length/ width (mm) Screw M5		184/166		184/166	
Technical data					
Materials		Polycarbonate		Polycarbonate	
Sealing materials		Neoprene		Neoprene	
Operating temperature		-40°C ~ +85°C		-40°C ~ +85°C	
Protection grade		IP66		IP66	

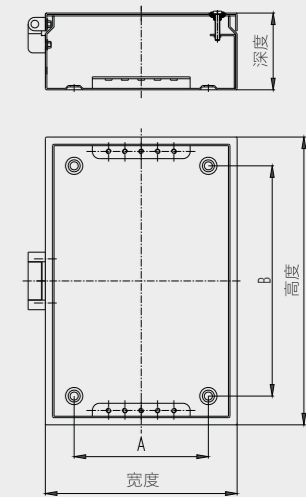
RSE Steel Terminal Boxes

- > The RES series terminal box is the appropriate electric component for installing either measuring and adjusting devices or display devices. They can also be used as ordinary terminal boxes or proof boxes.
- > The box is made of 1.5mm cold rolled steel panels, its surface is sprayed with plastics in color light grey. The 1.5mm thick stainless steel panel also ensures anti-corrosion and protects against mechanical collision. The protecting level reaches as high as IP65.
- > It can be customized by special request. The series of products can constitute electrical power boxes, control boxes, signal boxes and other devices by installing connecting terminals, cable joints, button switches or signal lights.



RSG Steel Terminal Boxes

- > The RSG secure sealed box is suitable for both installation of measurement and adjustment devices as well as display devices, and for outdoor bus model machines and equipment.
- > The box is made of 1.5mm thick cold rolled steel panels, the surface of which is sprayed with plastics in a light grey color. The 1.5mm thick stainless steel panels also ensure anti-corrosion and protects against mechanical collision. The protecting level reaches as high as IP65.



Type and Dimension (mm)

Type	Length	Width	Height	Installation Size AxB	Order No.
RSE150/150/80	150	150	80	90×90 M5	840062
RSE200/150/80	200	150	80	140×90 M5	840163
RSE250/150/80	250	150	80	190×90 M5	840164
RSE300/150/80	300	150	80	240×90 M5	840165
RSE350/150/80	350	150	80	290×90 M5	840166
RSE400/150/80	400	150	80	340×90 M5	840167
RSE500/150/80	500	150	80	440×90 M5	840080
RSE600/150/80	600	150	80	540×90 M5	840168
RSE1000/150/80	1000	150	80	940×90 M5	840169
RSE700/150/80	700	150	80	640×240 M5	840170
RSE800/150/80	800	150	80	740×90 M5	840171
RSE750/150/80	750	150	80	690×90 M5	840172
RSE400/150/120	400	150	120	340×90 M5	840033
RSE600/200/80	600	200	80	540×140 M5	840173
RSE400/200/80	400	200	80	340×140 M5	840174
RSE500/200/80	500	200	80	440×140 M5	840175
RSE300/200/80	300	200	80	240×140 M5	840176
RSE200/200/120	200	200	120	140×140 M5	840177
RSE400/200/120	400	200	120	340×140 M5	840178
RSE600/200/120	600	200	120	540×140 M5	840179
RSE800/200/120	800	200	120	740×140 M5	840180
RSE700/200/120	700	200	120	640×140 M5	840181
RSE500/200/120	500	200	120	440×140 M5	840182
RSE300/200/120	300	200	120	240×140 M5	840183
RSE300/200/150	300	200	150	240×140 M5	840184
RSE400/200/150	400	200	150	340×140 M5	840015
RSE400/250/150	400	250	150	340×140 M5	840185
RSE600/300/200	600	300	200	540×240 M5	840186



- We can provide the following services: installation of grounding screw and process installation holes in the box, installation of various openings, components and cable connectors in the cover as the boxes sides, installation of various connecting terminals and switches in the box, manufacturing of terminal boxes of different sizes according to customers' requests.

Type and Dimension (mm)

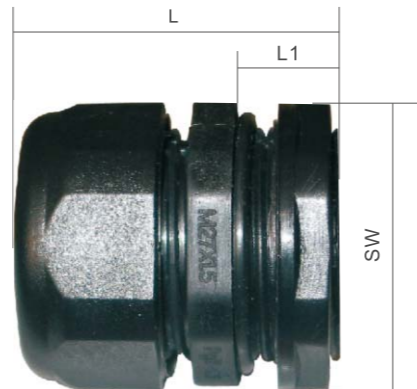
Type	Height	Width	Depth	Installation Size AxB	Order No.
RSG200/300/80	300	200	80	240×140 M5	840156
RSG200/300/120	300	200	120	240×140 M5	840157
RSG300/300/80	300	300	80	240×240 M5	840158
RSG400/200/120	400	200	120	340×140 M5	840132
RSG400/300/80	400	300	80	340×240 M5	840160
RSG400/300/120	400	300	120	340×240 M5	840161
RSG400/300/150	400	300	150	340×240 M5	840091
RSG500/300/80	500	300	80	440×240 M5	840099
RSG600/200/120	600	200	120	540×140 M5	840095
RSG600/300/150	600	300	150	540×240 M5	840148
RSG800/300/150	800	300	150	740×240 M5	840162

- We can provide the following services: installation of grounding screw and process installation holes in the box, installation of various openings, components and cable connectors in the cover as the boxes sides, installation of various connecting terminals and switches in the box, manufacturing of terminal boxes of different sizes according to customers' requests.

Cable Glands

> PGII plastic cable glands

- Usage: leading cable through terminal box, power supplies, control panels and machine tool applications. supporting, protecting and sealing cables.
- Features: material: lightweight plastic, corrosive resistant wide clamp range protection against dust and water, IP67



Order data

Type	Thread	Clamp range Ø (mm)	Full length L (mm)	Thread length L1 (mm)	Wrench Size SW (mm)	Black	Light grey
Pg II -9	M16×1.5	4~8	37	12	21	622037	622076
Pg II -12	M20×1.5	5~11	42	13	24	622038	622077
Pg II -16	M27×1.5	12~16	38	12	31	622039	622078
Pg II -21	M32×1.5	17~21	38	12	37	622040	622079
Pg II -27	M39×1.5	22~27	39	12	43	622041	622080
Pg II -33	M45×1.5	28~33	48	13	50	622050	622081
Pg II -38	M52×1.5	34~38	50	13	57	622051	622082
Pg II -44	M56×1.5	38~44	52	14	60	622052	622083

Technical data

Material	PA66
Sealing	Neoprene
Operating temperature	-40°C ~ +85°C
Protection grade	IP67

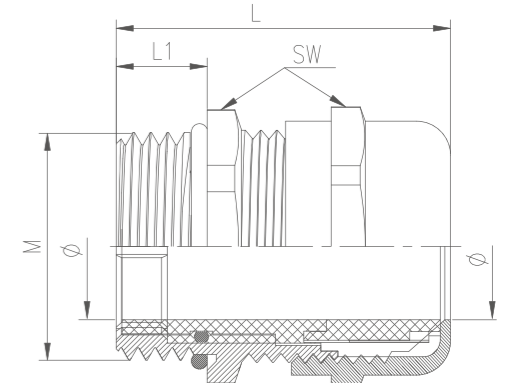
Brass Cable Glands

- Materials: nickel-plated brass and sealing ring
- Protection grade: IP68
- Large reducer diameter



> GMS Metal Cable Glands

Materials: nickel-plated brass
Sealing ring: Nitrile rubber
Protection grade: IP68
Temperature range: -30°C~+100°C

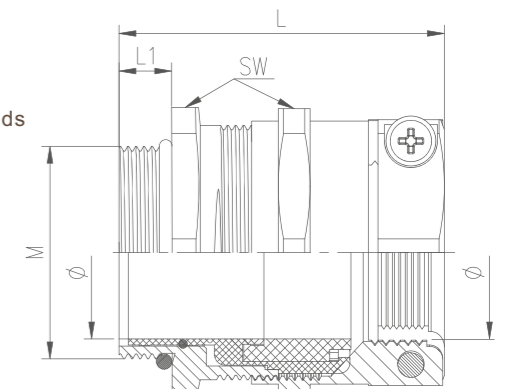


Type	Order No.	Thread	Outside diameter Φ	Wrench size SW (mm)	Full length L (mm)	Thread length L1 (mm)	Type of lock nut	Order No.	Nut Thickness (mm)
GMS -M16×1.5	868961	M16×1.5	4~8	18	29	7	GML-M16x1.5G	868996	2.8
GMS -M20×1.5	868962	M20×1.5	6~12	22	31	8	GML-M20x1.5G	868997	3
GMS -M25×1.5	868970	M25×1.5	13~18	30	34	8	GML-M25x1.5G	868998	3.5
GMS -M32×1.5	868963	M32×1.5	18~25	40	38	8	GML-M32x1.5G	868999	4
GMS -M40×1.5	868964	M40×1.5	22~32	50	48	12	GML-M40x1.5G	869000	5
GMS -M50×1.5	868965	M50×1.5	32~38	57	50	12	GML-M50x1.5G	869001	6



> KMSL Double-locking Metal Cable Glands

Materials: nickel-plated brass
Sealing ring: Nitrile rubber
Protection grade: IP68
Temperature range: -30°C~+100°C



Type	Order No.	Thread	Outside diameter Φ	Wrench size SW (mm)	Full length L (mm)	Thread length L1 (mm)	Type of lock nut	Order No.	Nut Thickness (mm)
KMSL -M16×1.5	868526	M16×1.5	5~10	20	36	7	GML-M16X1.5G	868996	2.8
KMSL -M20×1.5	868527	M20×1.5	6~12	22	39	8	GML-M20X1.5G	868997	3
KMSL -M25×1.5	868521	M25×1.5	13~18	30	44	8	GML-M25X1.5G	868998	3.5
KMSL -M32×1.5	868522	M32×1.5	18~25	40	51	8	GML-M32X1.5G	868999	4
KMSL -M40×1.5	868523	M40×1.5	22~32	50	58	12	GML-M40X1.5G	869000	5
KMSL -M50×1.5	868524	M50×1.5	32~38	57	60	12	GML-M50X1.5G	869001	6


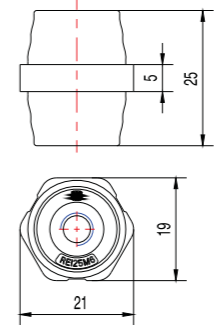

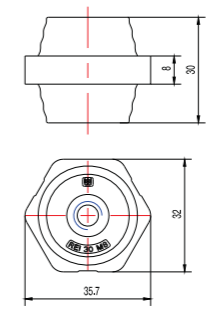

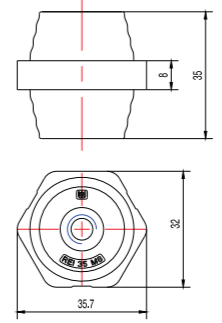

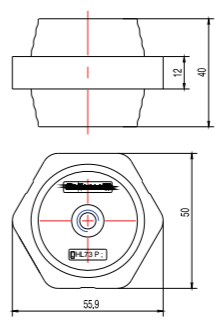
- Please choose the right cable glands following the outside diameter of cables.
- Please choose the right lock nuts following your using requirements. (Nuts are not provided in standard configuration.)
- Be careful to whether the thread length of cable glands matches with install panel or not. If they are not well-matched, we can provide you long type cable glands.


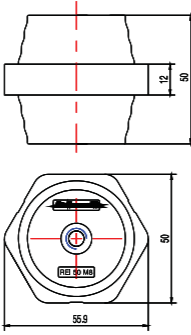

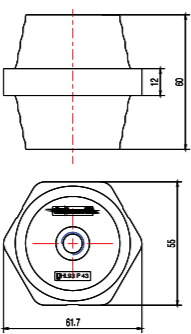

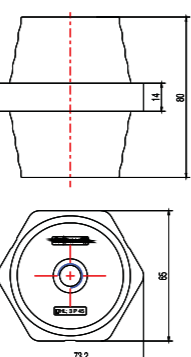

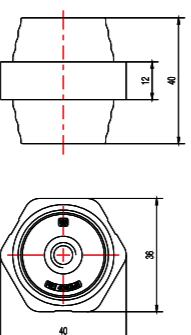
ELECTRICAL INSTALLATION ACCESSORIES


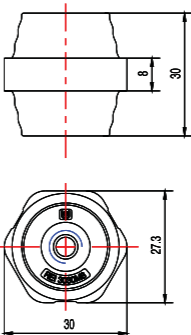

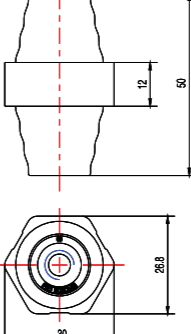

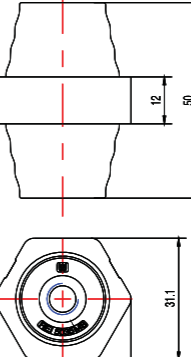

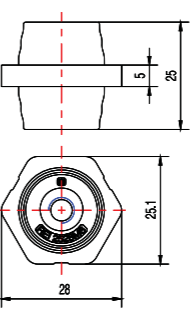
Product Catalogue

- > Insulator
- > Ferrule with plastic insulating sleeves
- > Ferrule with none-insulation
- > Ferrule with insulation
- > Needle-shaped ferrule with insulation
- > Needle-shaped ferrule with none-insulation
- > Ring/ Fork terminal with insulating sleeves
- > Ring/ Fork terminal
- > Copper ring terminal
- > Parallel splices
- > Long parallel splices with insulation
- > Male/ Female disconnect connector with insulating sleeves
- > RXC2/ RXC3 wire duct
- > End bracket



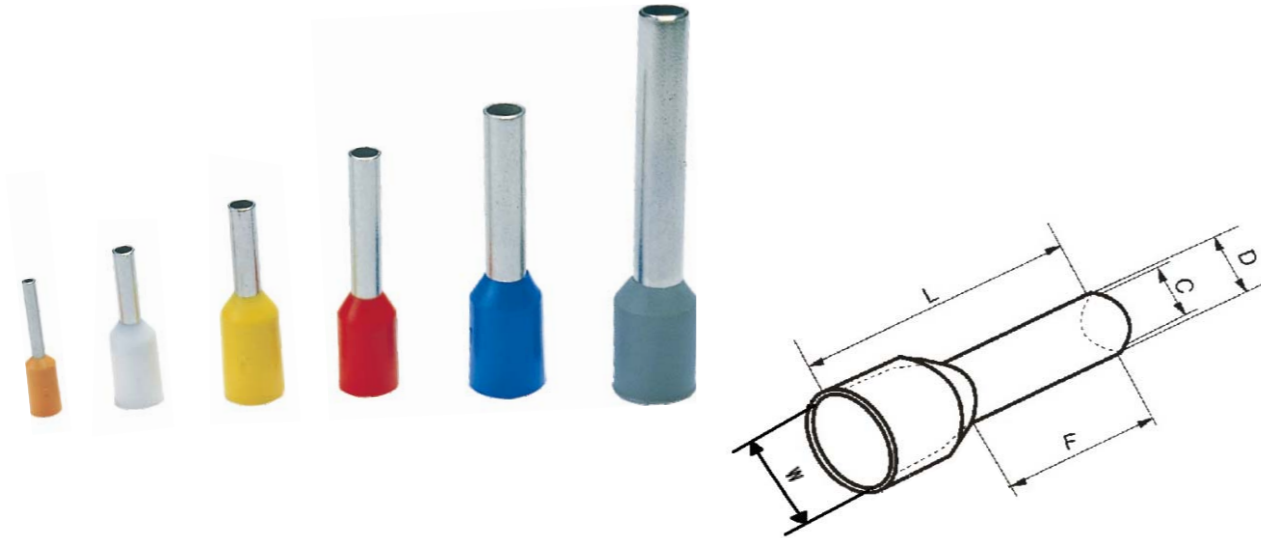
		<table border="1"> <thead> <tr> <th>Type</th> <th>Order No.</th> <th>Qty/pcs</th> </tr> </thead> <tbody> <tr> <td>REI 25M6 BK</td> <td>904065</td> <td>20</td> </tr> <tr> <td>REI 25M6 RD</td> <td>904066</td> <td>20</td> </tr> <tr> <td>REI 25M6 RD Cu</td> <td>904080</td> <td>20</td> </tr> <tr> <td>REI 25M6 BK Cu</td> <td>904079</td> <td>20</td> </tr> </tbody> </table>	Type	Order No.	Qty/pcs	REI 25M6 BK	904065	20	REI 25M6 RD	904066	20	REI 25M6 RD Cu	904080	20	REI 25M6 BK Cu	904079	20
		Type	Order No.	Qty/pcs													
REI 25M6 BK	904065	20															
REI 25M6 RD	904066	20															
REI 25M6 RD Cu	904080	20															
REI 25M6 BK Cu	904079	20															
<table border="1"> <thead> <tr> <th colspan="2">Material</th> </tr> </thead> <tbody> <tr> <td>Moulding material</td> <td>PA66 + 23% glass fiber</td> </tr> <tr> <td>Nut material</td> <td>copper or zinc plated steel</td> </tr> <tr> <td>Nut size</td> <td>M6</td> </tr> <tr> <td>Nut depth</td> <td>7.5mm</td> </tr> </tbody> </table>	Material		Moulding material	PA66 + 23% glass fiber	Nut material	copper or zinc plated steel	Nut size	M6	Nut depth	7.5mm							
Material																	
Moulding material	PA66 + 23% glass fiber																
Nut material	copper or zinc plated steel																
Nut size	M6																
Nut depth	7.5mm																
		<table border="1"> <thead> <tr> <th>Type</th> <th>Order No.</th> <th>Qty/pcs</th> </tr> </thead> <tbody> <tr> <td>REI 30M8 BK</td> <td>904063</td> <td>20</td> </tr> <tr> <td>REI 30M8 RD</td> <td>904064</td> <td>20</td> </tr> <tr> <td>REI 30M8 RD Cu</td> <td>904078</td> <td>20</td> </tr> <tr> <td>REI 30M8 BK Cu</td> <td>904077</td> <td>20</td> </tr> </tbody> </table>	Type	Order No.	Qty/pcs	REI 30M8 BK	904063	20	REI 30M8 RD	904064	20	REI 30M8 RD Cu	904078	20	REI 30M8 BK Cu	904077	20
		Type	Order No.	Qty/pcs													
REI 30M8 BK	904063	20															
REI 30M8 RD	904064	20															
REI 30M8 RD Cu	904078	20															
REI 30M8 BK Cu	904077	20															
<table border="1"> <thead> <tr> <th colspan="2">Material</th> </tr> </thead> <tbody> <tr> <td>Moulding material</td> <td>PA66 + 23% glass fiber</td> </tr> <tr> <td>Nut material</td> <td>copper or zinc plated steel</td> </tr> <tr> <td>Nut size</td> <td>M8</td> </tr> <tr> <td>Nut depth</td> <td>11.5mm</td> </tr> </tbody> </table>	Material		Moulding material	PA66 + 23% glass fiber	Nut material	copper or zinc plated steel	Nut size	M8	Nut depth	11.5mm							
Material																	
Moulding material	PA66 + 23% glass fiber																
Nut material	copper or zinc plated steel																
Nut size	M8																
Nut depth	11.5mm																
		<table border="1"> <thead> <tr> <th>Type</th> <th>Order No.</th> <th>Qty/pcs</th> </tr> </thead> <tbody> <tr> <td>REI 35M8 BK</td> <td>904059</td> <td>20</td> </tr> <tr> <td>REI 35M8 RD</td> <td>904060</td> <td>20</td> </tr> <tr> <td>REI 35M8 RD Cu</td> <td>904074</td> <td>20</td> </tr> <tr> <td>REI 35M8 BK Cu</td> <td>904073</td> <td>20</td> </tr> </tbody> </table>	Type	Order No.	Qty/pcs	REI 35M8 BK	904059	20	REI 35M8 RD	904060	20	REI 35M8 RD Cu	904074	20	REI 35M8 BK Cu	904073	20
		Type	Order No.	Qty/pcs													
REI 35M8 BK	904059	20															
REI 35M8 RD	904060	20															
REI 35M8 RD Cu	904074	20															
REI 35M8 BK Cu	904073	20															
<table border="1"> <thead> <tr> <th colspan="2">Material</th> </tr> </thead> <tbody> <tr> <td>Moulding material</td> <td>PA66 + 23% glass fiber</td> </tr> <tr> <td>Nut material</td> <td>copper or zinc plated steel</td> </tr> <tr> <td>Nut size</td> <td>M8</td> </tr> <tr> <td>Nut depth</td> <td>11.5mm</td> </tr> </tbody> </table>	Material		Moulding material	PA66 + 23% glass fiber	Nut material	copper or zinc plated steel	Nut size	M8	Nut depth	11.5mm							
Material																	
Moulding material	PA66 + 23% glass fiber																
Nut material	copper or zinc plated steel																
Nut size	M8																
Nut depth	11.5mm																
		<table border="1"> <thead> <tr> <th>Type</th> <th>Order No.</th> <th>Qty/pcs</th> </tr> </thead> <tbody> <tr> <td>REI 40M8 BK</td> <td>904061</td> <td>20</td> </tr> <tr> <td>REI 40M8 RD</td> <td>904062</td> <td>20</td> </tr> <tr> <td>REI 40M8 RD Cu</td> <td>904076</td> <td>20</td> </tr> <tr> <td>REI 40M8 BK Cu</td> <td>904075</td> <td>20</td> </tr> </tbody> </table>	Type	Order No.	Qty/pcs	REI 40M8 BK	904061	20	REI 40M8 RD	904062	20	REI 40M8 RD Cu	904076	20	REI 40M8 BK Cu	904075	20
		Type	Order No.	Qty/pcs													
REI 40M8 BK	904061	20															
REI 40M8 RD	904062	20															
REI 40M8 RD Cu	904076	20															
REI 40M8 BK Cu	904075	20															
<table border="1"> <thead> <tr> <th colspan="2">Material</th> </tr> </thead> <tbody> <tr> <td>Moulding material</td> <td>PA66 + 23% glass fiber</td> </tr> <tr> <td>Nut material</td> <td>copper or zinc plated steel</td> </tr> <tr> <td>Nut size</td> <td>M8</td> </tr> <tr> <td>Nut depth</td> <td>11.5mm</td> </tr> </tbody> </table>	Material		Moulding material	PA66 + 23% glass fiber	Nut material	copper or zinc plated steel	Nut size	M8	Nut depth	11.5mm							
Material																	
Moulding material	PA66 + 23% glass fiber																
Nut material	copper or zinc plated steel																
Nut size	M8																
Nut depth	11.5mm																

		<table border="1"> <thead> <tr> <th>Type</th> <th>Order No.</th> <th>Qty/pcs</th> </tr> </thead> <tbody> <tr> <td>REI 50M8 BK</td> <td>904057</td> <td>20</td> </tr> <tr> <td>REI 50M8 RD</td> <td>904058</td> <td>20</td> </tr> <tr> <td>REI 50M8 RD Cu</td> <td>904072</td> <td>20</td> </tr> <tr> <td>REI 50M8 BK Cu</td> <td>904071</td> <td>20</td> </tr> </tbody> </table>	Type	Order No.	Qty/pcs	REI 50M8 BK	904057	20	REI 50M8 RD	904058	20	REI 50M8 RD Cu	904072	20	REI 50M8 BK Cu	904071	20																																		
		Type	Order No.	Qty/pcs																																															
REI 50M8 BK	904057	20																																																	
REI 50M8 RD	904058	20																																																	
REI 50M8 RD Cu	904072	20																																																	
REI 50M8 BK Cu	904071	20																																																	
<table border="1"> <tr><td colspan="3">Material</td></tr> <tr><td>Moulding material</td><td colspan="2">PA66+23% glass fiber</td></tr> <tr><td>Nut material</td><td colspan="2">copper or zinc plated steel</td></tr> <tr><td>Nut size</td><td colspan="2">M8</td></tr> <tr><td>Nut depth</td><td colspan="2">18mm</td></tr> <tr><td colspan="3">Electrical properties</td></tr> <tr><td>Operating voltage</td><td colspan="2">1000V</td></tr> <tr><td>Leakage current under operating voltage3000V</td><td colspan="2">< 1mA</td></tr> <tr><td>Impulse withstand voltage</td><td colspan="2">12kV</td></tr> <tr><td colspan="3">Mechanical properties</td></tr> <tr><td>Tensile strength</td><td colspan="2">9kN</td></tr> <tr><td>Bending strength</td><td colspan="2">6kN</td></tr> <tr><td>Twisting strength</td><td colspan="2">14.4Nm</td></tr> <tr><td colspan="3">Insulating properties</td></tr> <tr><td>Insulation resistance</td><td colspan="2">> 1000MΩ</td></tr> <tr><td colspan="3">Thermal properties</td></tr> <tr><td>operating temperature</td><td colspan="2">-40 ~ +130°C</td></tr> </table>	Material			Moulding material	PA66+23% glass fiber		Nut material	copper or zinc plated steel		Nut size	M8		Nut depth	18mm		Electrical properties			Operating voltage	1000V		Leakage current under operating voltage3000V	< 1mA		Impulse withstand voltage	12kV		Mechanical properties			Tensile strength	9kN		Bending strength	6kN		Twisting strength	14.4Nm		Insulating properties			Insulation resistance	> 1000MΩ		Thermal properties			operating temperature	-40 ~ +130°C	
Material																																																			
Moulding material	PA66+23% glass fiber																																																		
Nut material	copper or zinc plated steel																																																		
Nut size	M8																																																		
Nut depth	18mm																																																		
Electrical properties																																																			
Operating voltage	1000V																																																		
Leakage current under operating voltage3000V	< 1mA																																																		
Impulse withstand voltage	12kV																																																		
Mechanical properties																																																			
Tensile strength	9kN																																																		
Bending strength	6kN																																																		
Twisting strength	14.4Nm																																																		
Insulating properties																																																			
Insulation resistance	> 1000MΩ																																																		
Thermal properties																																																			
operating temperature	-40 ~ +130°C																																																		
		<table border="1"> <thead> <tr> <th>Type</th> <th>Order No.</th> <th>Qty/pcs</th> </tr> </thead> <tbody> <tr> <td>REI 60M10 BK</td> <td>904067</td> <td>20</td> </tr> <tr> <td>REI 60M10 RD</td> <td>904068</td> <td>20</td> </tr> <tr> <td>REI 60M10 RD Cu</td> <td>904082</td> <td>20</td> </tr> <tr> <td>REI 60M10 BK Cu</td> <td>904071</td> <td>20</td> </tr> </tbody> </table>	Type	Order No.	Qty/pcs	REI 60M10 BK	904067	20	REI 60M10 RD	904068	20	REI 60M10 RD Cu	904082	20	REI 60M10 BK Cu	904071	20																																		
		Type	Order No.	Qty/pcs																																															
REI 60M10 BK	904067	20																																																	
REI 60M10 RD	904068	20																																																	
REI 60M10 RD Cu	904082	20																																																	
REI 60M10 BK Cu	904071	20																																																	
<table border="1"> <tr><td colspan="3">Material</td></tr> <tr><td>Moulding material</td><td colspan="2">PA66+23% glass fiber</td></tr> <tr><td>Nut material</td><td colspan="2">copper or zinc plated steel</td></tr> <tr><td>Nut size</td><td colspan="2">M10</td></tr> <tr><td>Nut depth</td><td colspan="2">21mm</td></tr> <tr><td colspan="3">Electrical properties</td></tr> <tr><td>Operating voltage</td><td colspan="2">1000V</td></tr> <tr><td>Leakage current under operating voltage3000V</td><td colspan="2">< 1mA</td></tr> <tr><td>Impulse withstand voltage</td><td colspan="2">12kV</td></tr> <tr><td colspan="3">Mechanical properties</td></tr> <tr><td>Tensile strength</td><td colspan="2">9kN</td></tr> <tr><td>Bending strength</td><td colspan="2">6kN</td></tr> <tr><td>Twisting strength</td><td colspan="2">20Nm</td></tr> <tr><td colspan="3">Insulating properties</td></tr> <tr><td>Insulation resistance</td><td colspan="2">> 1000MΩ</td></tr> <tr><td colspan="3">Thermal properties</td></tr> <tr><td>operating temperature</td><td colspan="2">-40 ~ +130°C</td></tr> </table>	Material			Moulding material	PA66+23% glass fiber		Nut material	copper or zinc plated steel		Nut size	M10		Nut depth	21mm		Electrical properties			Operating voltage	1000V		Leakage current under operating voltage3000V	< 1mA		Impulse withstand voltage	12kV		Mechanical properties			Tensile strength	9kN		Bending strength	6kN		Twisting strength	20Nm		Insulating properties			Insulation resistance	> 1000MΩ		Thermal properties			operating temperature	-40 ~ +130°C	
Material																																																			
Moulding material	PA66+23% glass fiber																																																		
Nut material	copper or zinc plated steel																																																		
Nut size	M10																																																		
Nut depth	21mm																																																		
Electrical properties																																																			
Operating voltage	1000V																																																		
Leakage current under operating voltage3000V	< 1mA																																																		
Impulse withstand voltage	12kV																																																		
Mechanical properties																																																			
Tensile strength	9kN																																																		
Bending strength	6kN																																																		
Twisting strength	20Nm																																																		
Insulating properties																																																			
Insulation resistance	> 1000MΩ																																																		
Thermal properties																																																			
operating temperature	-40 ~ +130°C																																																		
		<table border="1"> <thead> <tr> <th>Type</th> <th>Order No.</th> <th>Qty/pcs</th> </tr> </thead> <tbody> <tr> <td>REI 80M12 BK</td> <td>904069</td> <td>20</td> </tr> <tr> <td>REI 80M12 RD</td> <td>904070</td> <td>20</td> </tr> <tr> <td>REI 80M12 RD Cu</td> <td>904084</td> <td>20</td> </tr> <tr> <td>REI 80M12 BK Cu</td> <td>904083</td> <td>20</td> </tr> </tbody> </table>	Type	Order No.	Qty/pcs	REI 80M12 BK	904069	20	REI 80M12 RD	904070	20	REI 80M12 RD Cu	904084	20	REI 80M12 BK Cu	904083	20																																		
		Type	Order No.	Qty/pcs																																															
REI 80M12 BK	904069	20																																																	
REI 80M12 RD	904070	20																																																	
REI 80M12 RD Cu	904084	20																																																	
REI 80M12 BK Cu	904083	20																																																	
<table border="1"> <tr><td colspan="3">Material</td></tr> <tr><td>Moulding material</td><td colspan="2">PA66+23% glass fiber</td></tr> <tr><td>Nut material</td><td colspan="2">copper or zinc plated steel</td></tr> <tr><td>Nut size</td><td colspan="2">M12</td></tr> <tr><td>Nut depth</td><td colspan="2">28mm</td></tr> <tr><td colspan="3">Electrical properties</td></tr> <tr><td>Operating voltage</td><td colspan="2">1000V</td></tr> <tr><td>Leakage current under operating voltage3000V</td><td colspan="2">< 1mA</td></tr> <tr><td>Impulse withstand voltage</td><td colspan="2">12kV</td></tr> <tr><td colspan="3">Mechanical properties</td></tr> <tr><td>Tensile strength</td><td colspan="2">10kN</td></tr> <tr><td>Bending strength</td><td colspan="2">7N</td></tr> <tr><td>Twisting strength</td><td colspan="2">50Nm</td></tr> <tr><td colspan="3">Insulating properties</td></tr> <tr><td>Insulation resistance</td><td colspan="2">> 1000MΩ</td></tr> <tr><td colspan="3">Thermal properties</td></tr> <tr><td>operating temperature</td><td colspan="2">-40 ~ +130°C</td></tr> </table>	Material			Moulding material	PA66+23% glass fiber		Nut material	copper or zinc plated steel		Nut size	M12		Nut depth	28mm		Electrical properties			Operating voltage	1000V		Leakage current under operating voltage3000V	< 1mA		Impulse withstand voltage	12kV		Mechanical properties			Tensile strength	10kN		Bending strength	7N		Twisting strength	50Nm		Insulating properties			Insulation resistance	> 1000MΩ		Thermal properties			operating temperature	-40 ~ +130°C	
Material																																																			
Moulding material	PA66+23% glass fiber																																																		
Nut material	copper or zinc plated steel																																																		
Nut size	M12																																																		
Nut depth	28mm																																																		
Electrical properties																																																			
Operating voltage	1000V																																																		
Leakage current under operating voltage3000V	< 1mA																																																		
Impulse withstand voltage	12kV																																																		
Mechanical properties																																																			
Tensile strength	10kN																																																		
Bending strength	7N																																																		
Twisting strength	50Nm																																																		
Insulating properties																																																			
Insulation resistance	> 1000MΩ																																																		
Thermal properties																																																			
operating temperature	-40 ~ +130°C																																																		
		<table border="1"> <thead> <tr> <th>Type</th> <th>Order No.</th> <th>Qty/pcs</th> </tr> </thead> <tbody> <tr> <td>REI 4040M8 BK</td> <td>904090</td> <td>20</td> </tr> <tr> <td>REI 4040M8 RD</td> <td>904086</td> <td>20</td> </tr> </tbody> </table>	Type	Order No.	Qty/pcs	REI 4040M8 BK	904090	20	REI 4040M8 RD	904086	20																																								
		Type	Order No.	Qty/pcs																																															
REI 4040M8 BK	904090	20																																																	
REI 4040M8 RD	904086	20																																																	
<table border="1"> <tr><td colspan="3">Material</td></tr> <tr><td>Moulding material</td><td colspan="2">PA66+23% glass fiber</td></tr> <tr><td>Nut material</td><td colspan="2">copper or zinc plated steel</td></tr> <tr><td>Nut size</td><td colspan="2">M8</td></tr> <tr><td>Nut depth</td><td colspan="2">11.5mm</td></tr> <tr><td colspan="3">Electrical properties</td></tr> <tr><td>Operating voltage</td><td colspan="2">1000V</td></tr> <tr><td>Leakage current under operating voltage3000V</td><td colspan="2">< 1mA</td></tr> <tr><td>Impulse withstand voltage</td><td colspan="2">12kV</td></tr> <tr><td colspan="3">Mechanical properties</td></tr> <tr><td>Tensile strength</td><td colspan="2">5kN</td></tr> <tr><td>Bending strength</td><td colspan="2">4N</td></tr> <tr><td>Twisting strength</td><td colspan="2">14.4Nm</td></tr> <tr><td colspan="3">Insulating properties</td></tr> <tr><td>Insulation resistance</td><td colspan="2">> 1000MΩ</td></tr> <tr><td colspan="3">Thermal properties</td></tr> <tr><td>operating temperature</td><td colspan="2">-40 ~ +130°C</td></tr> </table>	Material			Moulding material	PA66+23% glass fiber		Nut material	copper or zinc plated steel		Nut size	M8		Nut depth	11.5mm		Electrical properties			Operating voltage	1000V		Leakage current under operating voltage3000V	< 1mA		Impulse withstand voltage	12kV		Mechanical properties			Tensile strength	5kN		Bending strength	4N		Twisting strength	14.4Nm		Insulating properties			Insulation resistance	> 1000MΩ		Thermal properties			operating temperature	-40 ~ +130°C	
Material																																																			
Moulding material	PA66+23% glass fiber																																																		
Nut material	copper or zinc plated steel																																																		
Nut size	M8																																																		
Nut depth	11.5mm																																																		
Electrical properties																																																			
Operating voltage	1000V																																																		
Leakage current under operating voltage3000V	< 1mA																																																		
Impulse withstand voltage	12kV																																																		
Mechanical properties																																																			
Tensile strength	5kN																																																		
Bending strength	4N																																																		
Twisting strength	14.4Nm																																																		
Insulating properties																																																			
Insulation resistance	> 1000MΩ																																																		
Thermal properties																																																			
operating temperature	-40 ~ +130°C																																																		

		<table border="1"> <thead> <tr> <th>Type</th> <th>Order No.</th> <th>Qty/pcs</th> </tr> </thead> <tbody> <tr> <td>REI 3030M8 BK</td> <td>904092</td> <td>20</td> </tr> <tr> <td>REI 3030M8 RD</td> <td>904087</td> <td>20</td> </tr> </tbody> </table>	Type	Order No.	Qty/pcs	REI 3030M8 BK	904092	20	REI 3030M8 RD	904087	20																																								
		Type	Order No.	Qty/pcs																																															
REI 3030M8 BK	904092	20																																																	
REI 3030M8 RD	904087	20																																																	
<table border="1"> <tr><td colspan="3">Material</td></tr> <tr><td>Moulding material</td><td colspan="2">PA66+23% glass fiber</td></tr> <tr><td>Nut material</td><td colspan="2">copper or zinc plated steel</td></tr> <tr><td>Nut size</td><td colspan="2">M8</td></tr> <tr><td>Nut depth</td><td colspan="2">11.5mm</td></tr> <tr><td colspan="3">Electrical properties</td></tr> <tr><td>Operating voltage</td><td colspan="2">1000V</td></tr> <tr><td>Leakage current under operating voltage3000V</td><td colspan="2">< 1mA</td></tr> <tr><td>Impulse withstand voltage</td><td colspan="2">12kV</td></tr> <tr><td colspan="3">Mechanical properties</td></tr> <tr><td>Tensile strength</td><td colspan="2">3kN</td></tr> <tr><td>Bending strength</td><td colspan="2">3kN</td></tr> <tr><td>Twisting strength</td><td colspan="2">14.4Nm</td></tr> <tr><td colspan="3">Insulating properties</td></tr> <tr><td>Insulation resistance</td><td colspan="2">> 1000MΩ</td></tr> <tr><td colspan="3">Thermal properties</td></tr> <tr><td>operating temperature</td><td colspan="2">-40 ~ +130°C</td></tr> </table>	Material			Moulding material	PA66+23% glass fiber		Nut material	copper or zinc plated steel		Nut size	M8		Nut depth	11.5mm		Electrical properties			Operating voltage	1000V		Leakage current under operating voltage3000V	< 1mA		Impulse withstand voltage	12kV		Mechanical properties			Tensile strength	3kN		Bending strength	3kN		Twisting strength	14.4Nm		Insulating properties			Insulation resistance	> 1000MΩ		Thermal properties			operating temperature	-40 ~ +130°C	
Material																																																			
Moulding material	PA66+23% glass fiber																																																		
Nut material	copper or zinc plated steel																																																		
Nut size	M8																																																		
Nut depth	11.5mm																																																		
Electrical properties																																																			
Operating voltage	1000V																																																		
Leakage current under operating voltage3000V	< 1mA																																																		
Impulse withstand voltage	12kV																																																		
Mechanical properties																																																			
Tensile strength	3kN																																																		
Bending strength	3kN																																																		
Twisting strength	14.4Nm																																																		
Insulating properties																																																			
Insulation resistance	> 1000MΩ																																																		
Thermal properties																																																			
operating temperature	-40 ~ +130°C																																																		
		<table border="1"> <thead> <tr> <th>Type</th> <th>Order No.</th> <th>Qty/pcs</th> </tr> </thead> <tbody> <tr> <td>REI 5030M8 BK</td> <td>904093</td> <td>20</td> </tr> <tr> <td>REI 5030M8 RD</td> <td>904088</td> <td>20</td> </tr> </tbody> </table>	Type	Order No.	Qty/pcs	REI 5030M8 BK	904093	20	REI 5030M8 RD	904088	20																																								
		Type	Order No.	Qty/pcs																																															
REI 5030M8 BK	904093	20																																																	
REI 5030M8 RD	904088	20																																																	
<table border="1"> <tr><td colspan="3">Material</td></tr> <tr><td>Moulding material</td><td colspan="2">PA66+23% glass fiber</td></tr> <tr><td>Nut material</td><td colspan="2">copper or zinc plated steel</td></tr> <tr><td>Nut size</td><td colspan="2">M8</td></tr> <tr><td>Nut depth</td><td colspan="2">11.5mm</td></tr> <tr><td colspan="3">Electrical properties</td></tr> <tr><td>Operating voltage</td><td colspan="2">1000V</td></tr> <tr><td>Leakage current under operating voltage3000V</td><td colspan="2">< 1mA</td></tr> <tr><td>Impulse withstand voltage</td><td colspan="2">12kV</td></tr> <tr><td colspan="3">Mechanical properties</td></tr> <tr><td>Tensile strength</td><td colspan="2">9kN</td></tr> <tr><td>Bending strength</td><td colspan="2">6kN</td></tr> <tr><td>Twisting strength</td><td colspan="2">14.4Nm</td></tr> <tr><td colspan="3">Insulating properties</td></tr> <tr><td>Insulation resistance</td><td colspan="2">> 1000MΩ</td></tr> <tr><td colspan="3">Thermal properties</td></tr> <tr><td>operating temperature</td><td colspan="2">-40 ~ +130°C</td></tr> </table>	Material			Moulding material	PA66+23% glass fiber		Nut material	copper or zinc plated steel		Nut size	M8		Nut depth	11.5mm		Electrical properties			Operating voltage	1000V		Leakage current under operating voltage3000V	< 1mA		Impulse withstand voltage	12kV		Mechanical properties			Tensile strength	9kN		Bending strength	6kN		Twisting strength	14.4Nm		Insulating properties			Insulation resistance	> 1000MΩ		Thermal properties			operating temperature	-40 ~ +130°C	
Material																																																			
Moulding material	PA66+23% glass fiber																																																		
Nut material	copper or zinc plated steel																																																		
Nut size	M8																																																		
Nut depth	11.5mm																																																		
Electrical properties																																																			
Operating voltage	1000V																																																		
Leakage current under operating voltage3000V	< 1mA																																																		
Impulse withstand voltage	12kV																																																		
Mechanical properties																																																			
Tensile strength	9kN																																																		
Bending strength	6kN																																																		
Twisting strength	14.4Nm																																																		
Insulating properties																																																			
Insulation resistance	> 1000MΩ																																																		
Thermal properties																																																			
operating temperature	-40 ~ +130°C																																																		
		<table border="1"> <thead> <tr> <th>Type</th> <th>Order No.</th> <th>Qty/pcs</th> </tr> </thead> <tbody> <tr> <td>REI 5035M8 BK</td> <td>904094</td> <td>20</td> </tr> <tr> <td>REI 5035M8 RD</td> <td>904089</td> <td>20</td> </tr> </tbody> </table>	Type	Order No.	Qty/pcs	REI 5035M8 BK	904094	20	REI 5035M8 RD	904089	20																																								
		Type	Order No.	Qty/pcs																																															
REI 5035M8 BK	904094	20																																																	
REI 5035M8 RD	904089	20																																																	
<table border="1"> <tr><td colspan="3">Material</td></tr> <tr><td>Moulding material</td><td colspan="2">PA66+23% glass fiber</td></tr> <tr><td>Nut material</td><td colspan="2">copper or zinc plated steel</td></tr> <tr><td>Nut size</td><td colspan="2">M8</td></tr> <tr><td>Nut depth</td><td colspan="2">11.5mm</td></tr> <tr><td colspan="3">Electrical properties</td></tr> <tr><td>Operating voltage</td><td colspan="2">1000V</td></tr> <tr><td>Leakage current under operating voltage3000V</td><td colspan="2">< 1mA</td></tr> <tr><td>Impulse withstand voltage</td><td colspan="2">12kV</td></tr> <tr><td colspan="3">Mechanical properties</td></tr> <tr><td>Tensile strength</td><td colspan="2">9kN</td></tr> <tr><td>Bending strength</td><td colspan="2">6N</td></tr> <tr><td>Twisting strength</td><td colspan="2">14.4Nm</td></tr> <tr><td colspan="3">Insulating properties</td></tr> <tr><td>Insulation resistance</td><td colspan="2">> 1000MΩ</td></tr> <tr><td colspan="3">Thermal properties</td></tr> <tr><td>operating temperature</td><td colspan="2">-40 ~ +130°C</td></tr> </table>	Material			Moulding material	PA66+23% glass fiber		Nut material	copper or zinc plated steel		Nut size	M8		Nut depth	11.5mm		Electrical properties			Operating voltage	1000V		Leakage current under operating voltage3000V	< 1mA		Impulse withstand voltage	12kV		Mechanical properties			Tensile strength	9kN		Bending strength	6N		Twisting strength	14.4Nm		Insulating properties			Insulation resistance	> 1000MΩ		Thermal properties			operating temperature	-40 ~ +130°C	
Material																																																			
Moulding material	PA66+23% glass fiber																																																		
Nut material	copper or zinc plated steel																																																		
Nut size	M8																																																		
Nut depth	11.5mm																																																		
Electrical properties																																																			
Operating voltage	1000V																																																		
Leakage current under operating voltage3000V	< 1mA																																																		
Impulse withstand voltage	12kV																																																		
Mechanical properties																																																			
Tensile strength	9kN																																																		
Bending strength	6N																																																		
Twisting strength	14.4Nm																																																		
Insulating properties																																																			
Insulation resistance	> 1000MΩ																																																		
Thermal properties																																																			
operating temperature	-40 ~ +130°C																																																		
		<table border="1"> <thead> <tr> <th>Type</th> <th>Order No.</th> <th>Qty/pcs</th> </tr> </thead> <tbody> <tr> <td>REI 2528M6 BK</td> <td>904095</td> <td>20</td> </tr> <tr> <td>REI 2528M6 RD</td> <td>904091</td> <td>20</td> </tr> </tbody> </table>	Type	Order No.	Qty/pcs	REI 2528M6 BK	904095	20	REI 2528M6 RD	904091	20																																								
		Type	Order No.	Qty/pcs																																															
REI 2528M6 BK	904095	20																																																	
REI 2528M6 RD	904091	20																																																	
<table border="1"> <tr><td colspan="3">Material</td></tr> <tr><td>Moulding material</td><td colspan="2">PA66+23% glass fiber</td></tr> <tr><td>Nut material</td><td colspan="2">copper or zinc plated steel</td></tr> <tr><td>Nut size</td><td colspan="2">M6</td></tr> <tr><td>Nut depth</td><td colspan="2">8.5mm</td></tr> <tr><td colspan="3">Electrical properties</td></tr> <tr><td>Operating voltage</td><td colspan="2">1000V</td></tr> <tr><td>Leakage current under operating voltage3000V</td><td colspan="2">< 1mA</td></tr> <tr><td>Impulse withstand voltage</td><td colspan="2">12kV</td></tr> <tr><td colspan="3">Mechanical properties</td></tr> <tr><td>Tensile strength</td><td colspan="2">2kN</td></tr> <tr><td>Bending strength</td><td colspan="2">3N</td></tr> <tr><td>Twisting strength</td><td colspan="2">10Nm</td></tr> <tr><td colspan="3">Insulating properties</td></tr> <tr><td>Insulation resistance</td><td colspan="2">> 1000MΩ</td></tr> <tr><td colspan="3">Thermal properties</td></tr> <tr><td>operating temperature</td><td colspan="2">-40 ~ +130°C</td></tr> </table>	Material			Moulding material	PA66+23% glass fiber		Nut material	copper or zinc plated steel		Nut size	M6		Nut depth	8.5mm		Electrical properties			Operating voltage	1000V		Leakage current under operating voltage3000V	< 1mA		Impulse withstand voltage	12kV		Mechanical properties			Tensile strength	2kN		Bending strength	3N		Twisting strength	10Nm		Insulating properties			Insulation resistance	> 1000MΩ		Thermal properties			operating temperature	-40 ~ +130°C	
Material																																																			
Moulding material	PA66+23% glass fiber																																																		
Nut material	copper or zinc plated steel																																																		
Nut size	M6																																																		
Nut depth	8.5mm																																																		
Electrical properties																																																			
Operating voltage	1000V																																																		
Leakage current under operating voltage3000V	< 1mA																																																		
Impulse withstand voltage	12kV																																																		
Mechanical properties																																																			
Tensile strength	2kN																																																		
Bending strength	3N																																																		
Twisting strength	10Nm																																																		
Insulating properties																																																			
Insulation resistance	> 1000MΩ																																																		
Thermal properties																																																			
operating temperature	-40 ~ +130°C																																																		

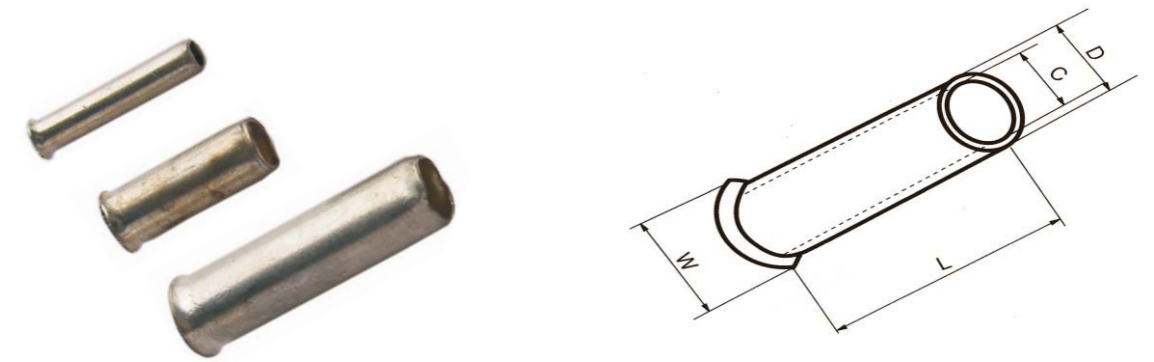
Ferrules with plastic insulating sleeves

- > Material: E-CU, sleeves: PP
- > Coating: tin-plated



Ferrule with none-insulation

- > Material: E-CU
- > Coating: tin-plated



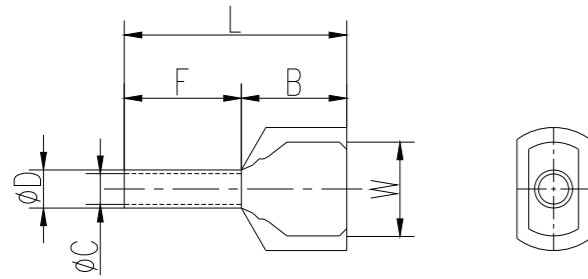
Cross-section	Type	Order No.	Qty Pcs/Package	Dimensions					Color
				W	L	C	F	D	
mm ²				mm	mm	mm	mm	mm	
0.5	RTB0.5/6JT	999001	1000 *	2.6	12.4	1	6	1.3	Orange
	RTB0.5/8JT	999002		2.6	14.4	1	8		Orange
	RTB0.5/10JT	999003		2.6	16.4	1	10		Orange
0.75	RTB0.75/6JT	999004		2.8	12.8	1.2	6	1.5	White
	RTB0.75/8JT	999005		2.8	14.8	1.2	8		White
	RTB0.75/10JT	999006		2.8	16.8	1.2	10		White
	RTB0.75/12JT	999007		2.8	18.8	1.2	12		White
1	RTB1/6JT	999008		3	12.6	1.4	6	1.7	Yellow
	RTB1/8JT	999009		3	14.6	1.4	8		Yellow
	RTB1/10JT	999010		3	16.4	1.4	10		Yellow
	RTB1/12JT	999011		3	18.4	1.4	12		Yellow
1.5	RTB1.5/8JT	999012		3.5	15	1.7	8	2	Red
	RTB1.5/10JT	999013		3.5	16.4	1.7	10		Red
	RTB1.5/12JT	999035		3.5	18.4	1.7	12		Red
	RTB1.5/18JT	999014		3.5	24.4	1.7	18		Red
2.5	RTB2.5/8JT	999015		4	15.2	2.3	8	2.6	Blue
	RTB2.5/10JT	999016		4	17	2.3	10		Blue
	RTB2.5/12JT	999017		4	19.4	2.3	12		Blue
	RTB2.5/18JT	999018	4	25.6	2.3	18	Blue		
4	RTB4/9JT	999019	4.4	17.6	2.8	9	3.2	Grey	
	RTB4/12JT	999020	4.4	20.3	2.8	12		Grey	
	RTB4/18JT	999021	4.4	26.1	2.8	18		Grey	
6	RTB6/12JT	999022	6.3	20	3.5	12	3.9	Black	
	RTB6/18JT	999023	6.3	26.5	3.5	18		Black	
10	RTB10/12JT	999024	7.6	21.1	4.5	12	4.9	Ivory	
	RTB10/18JT	999025	7.6	27.1	4.5	18		Ivory	
16	RTB16/12JT	999026	8.8	22.2	5.8	12	6.2	Green	
	RTB16/18JT	999027	8.8	28.2	5.8	18		Green	
25	RTB25/16JT	999028	11.2	27.7	7.2	16	7.9	Brown	
	RTB25/22JT	999029	11.2	33.7	7.2	22		Brown	
35	RTB35/16JT	999030	12.7	30	8.3	16	8.7	Light Brown	
	RTB35/25JT	999031	12.7	39	8.3	25		Light Brown	
50	RTB50/20JT	999032	15.3	36	10.3	20	10.9	Olive	
	RTB50/25JT	999033	15.3	41	10.3	25		Olive	

Cross-section	Type	Order No.	Qty Pcs/Package	Dimensions			
				W	L	C	D
mm ²				mm	mm	mm	mm
0.5	RTB0.5/6	998001	2000 *	1.7	6	1	1.3
	RTB0.5/8	998002		1.7	8	1	
	RTB0.5/10	998003		1.7	10	1	
0.75	RTB0.75/6	998004		2	6	1.2	1.5
	RTB0.75/8	998005		2	8	1.2	
	RTB0.75/10	998006		2	10	1.2	
	RTB0.75/12	998007		2	12	1.2	
1	RTB1/6	998008		2.2	6	1.4	1.7
	RTB1/8	998009		2.2	8	1.4	
	RTB1/10	998010		2.2	12	1.4	
	RTB1/12	998011		2.2	7	1.4	
1.5	RTB1.5/7	998012		2.5	10	1.7	2
	RTB1.5/10	998013		2.5	18	1.7	
	RTB1.5/18	998014		2.5	7	1.7	
2.5	RTB2.5/7	998015		3.3	10	2.2	2.6
	RTB2.5/10	998016		3.3	12	2.2	
	RTB2.5/12	998017		3.3	18	2.2	
	RTB2.5/18	998018		3.3	18	2.2	
4	RTB4/9	998019	4	9	2.8	3.2	
	RTB4/12	998020	4	12	2.8		
	RTB4/18	998021	4	18	2.8		
6	RTB6/12	998022	4.8	12	3.5	3.9	
	RTB6/15	998023	4.8	15	3.5		
	RTB6/10	998024	4.8	10	3.5		
10	RTB10/12	998025	5.8	12	4.5	4.9	
	RTB10/18	998026	5.8	18	4.5		
16	RTB16/12	998027	7.2	12	5.8	6.2	
	RTB16/18	998028	7.2	18	5.8		
25	RTB25/16	998029	9.2	16	7.5	7.9	
	RTB25/22	998030	9.2	22	7.5		
35	RTB35/16	998031	10	16	8.3	8.7	
	RTB35/25	998032	10	25	8.3		
50	RTB50/20	998033	12.4	20	10.3	10.9	
	RTB50/25	998034	12.4	25	10.3		

* Note: Please pay attention to the dimensions for your usage.

Ferrule with insulation

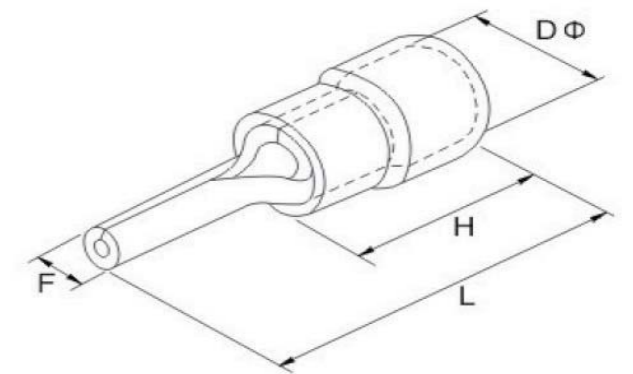
- > Material: E-CU, sleeves: PVC
- > Coating: tin-plated



Cross-section mm ²	Type	Order No.	Qty Pcs/Package	Dimensions						Color
				F	L	W	B	φD	φC	
2×0.5mm ²	RTDB0.5/8JT	997002	1000 *	8.0	14.5	5.0	6.5	1.8	1.5	White
2×0.75mm ²	RTDB0.75/8JT	997003		8.0	14.7	5.5	6.7	2.1	1.8	Blue
2×0.75mm ²	RTDB0.75/10JT	997004		10.0	16.7	5.5	6.7	2.1	1.8	Blue
2×1.0mm ²	RTDB1/8JT	997005		8.0	15.1	5.5	7.1	2.3	2.0	Red
2×1.0mm ²	RTDB1/10JT	997006		10.0	17.1	5.5	7.1	2.3	2.0	Red
2×1.5mm ²	RTDB1.5/8JT	997001		8.0	15.5	6.4	7.2	2.6	2.3	Red
2×1.5mm ²	RTDB1.5/12JT	997007		12.0	19.5	6.4	7.5	2.6	2.3	Red
2×2.5mm ²	RTDB2.5/10JT	997008		10.5	19.4	8.0	8.9	3.3	2.9	Grey
2×2.5mm ²	RTDB2.5/13JT	997009		12.4	21.5	8.0	8.9	3.3	2.9	Grey
2×2.5mm ²	RTDB2.5/8JT	997014		8.0	16.9	8.0	8.0	3.3	2.9	Grey
2×4mm ²	RTDB4/12JT	997010		12.0	22	8.8	10.3	4.2	3.8	Orange
2×4mm ²	RTDB4/9JT	997015		9.0	19.4	8.8	10.3	4.2	3.8	Orange
2×6mm ²	RTDB6/14JT	997011		14.0	24.2	9.5	9.9	5.3	4.9	Green
2×10mm ²	RTDB10/14JT	997012		14.7	26.6	12.6	12.0	6.9	6.5	Brown

Needle-shaped Ferrule with insulation

- > Material: E-CU, sleeves: PVC
- > Coating: tin-plated

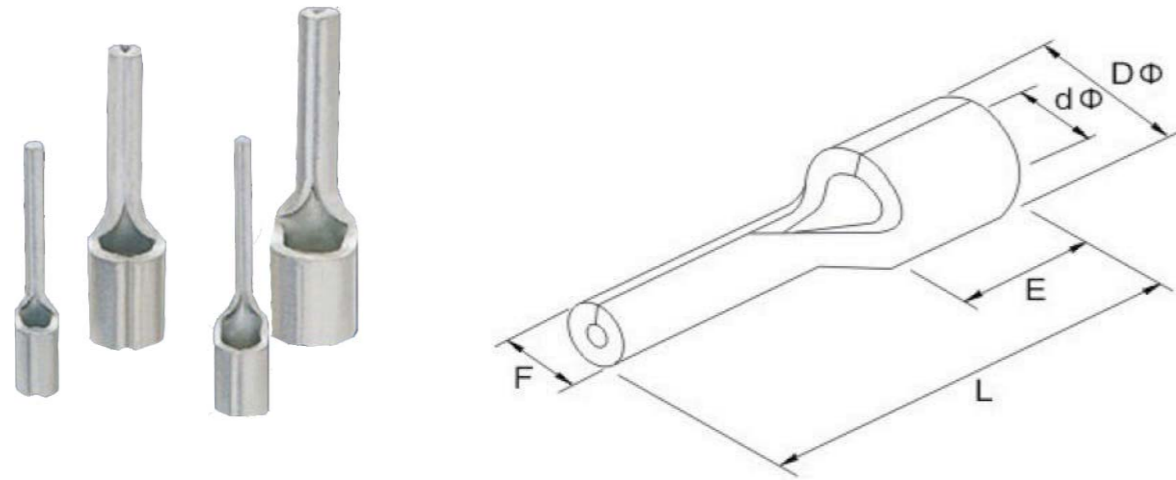


Cross-section	Type	Order No.	Qty Pcs/Package	Dimensions				Color
				F	L	H	φD	
Cross-section: 0.5~1.5mm ² Max current: I _{max} =19A	RTN 1.5/10 JT RD	992302	500 *	1.9	20.0	10.0	4.3	Red
	RTN 1.5/12 JT RD	992303		1.9	22.0			
	RTN 1.5/18 JT RD	992305		1.9	28.0			
Cross-section: 1.5~2.5mm ² Max current: I _{max} =27A	RTN 2.5/10 JT BU	992307	500 *	1.9	20.0	10.0	4.3	Blue
	RTN 2.5/12 JT BU	992308		1.9	22.0			
	RTN 2.5/18 JT BU	992310		1.9	28.0			
Cross-section: 4~6mm ² Max current: I _{max} =48A	RTN 6/13 JT YW	992313	200 *	2.8	25.5	13.0	6.7	Yellow

* Note: Please pay attention to the dimensions for your usage.

Needle-shaped Ferrule with none-insulation

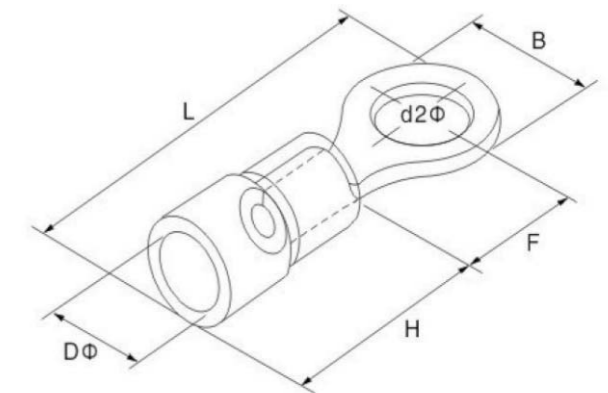
- > Material: E-CU
- > Coating: tin-plated



Cross-section	Type	Order No.	Qty Pcs/Package	Dimensions				
				F	L	E	φD	φd
Cross-section: 0.5~1.5mm ² Max current: I _{max} =19A	RTN 1.5/10	992202	500 *	1.9	14.8	4.8	3.4	1.7
	RTN 1.5/12	992203		1.9	16.8			
	RTN 1.5/18	992205		1.9	22.8			
Cross-section: 1.5~2.5mm ² Max current: I _{max} =27A	RTN 2.5/10	992207	500 *	1.9	14.8	4.8	4.1	2.3
	RTN 2.5/12	992208		1.9	16.8			
	RTN 2.5/18	992210		1.9	22.8			
Cross-section: 2.5~4mm ² Max current: I _{max} =37A	RTN 4/12	992212	500 *	2.8	18	6.0	5.0	3.0
Cross-section: 4~6mm ² Max current: I _{max} =48A	RTN 6/13	992213	200 *	2.8	19.8	6.0	5.6	3.4

Ring Terminal with insulating sleeves

- > Material: E-CU, sleeves: PVC
- > Coating: tin-plated

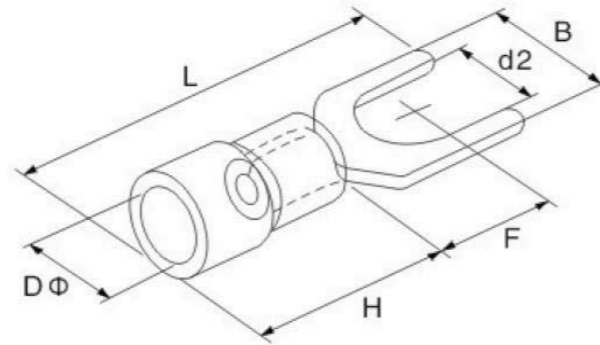


Cross-section	Type	Order No.	Qty Pcs/Package	Dimensions					Color	
				d2	B	L	F	H		D
mm	mm	mm	mm	mm	mm	mm	mm	mm	mm	
0.5~1.5mm I _{max} =19A	RTO1.5/3JT	993001	1000 *	3.2	5.7	17.8	4.95	10	4.3	Red
	RTO1.5/3.5JT	993004		3.7	8	21.5	7			
	RTO1.5/4JT	993006		4.3	8	21.5	7			
	RTO1.5/5JT	993007		5.3	8	21.5	7			
	RTO1.5/6JT	993008		6.5	11.6	27.5	11.1			
	RTO1.5/8JT	993009		8.4	11.6	27.5	11.1			
	RTO1.5/10JT	993010		10.5	13.6	30.8	13.9			
RTO1.5/12JT	993002	13	19.2	36	16.5					
1.5~2.5mm I _{max} =27A	RTO2.5/3JT	993011	1000 *	3.2	6.6	17.8	4.3	10	4.9	Blue
	RTO2.5/3.5JT-S	993012		3.7	6.6	17.8	4.3			
	RTO2.5/3.5JT	993014		3.7	6.6	21	7			
	RTO2.5/4JT	993016		4.3	8.5	22.5	7.75			
	RTO2.5/5JT	993018		5.3	9.5	22.5	7.25			
	RTO2.5/6JT	993019		6.5	12	27.6	11			
	RTO2.5/8JT	993020		8.4	12	27.6	11			
RTO2.5/10JT	993021	10.5	13.6	30.2	13.9					
2.5~4mm I _{max} =37A	RTO4/4JT	993022	500 *	4.3	8	25.2	7.7	13.2	5.8	Black
	RTO4/5JT	993024		5.3	12	27.9	7.7			
	RTO4/6JT	993025		6.5	12	28.7	7.7			
4~6mm I _{max} =48A	RTO6/3.5JT	993026	1000 *	3.7	7.2	21.4	5.9	12.5	6.7	Yellow
	RTO6/4JT	993028		4.3	9.5	27.2	8.3			
	RTO6/5JT	993029		5.3	9.5	27.2	8.3			
	RTO6/6JT	993030	500 *	6.5	12	30	13			
	RTO6/8JT	993031		8.4	15	33.7	13.7			
	RTO6/10JT	993032		10.5	15	33.7	13.7			
	RTO6/12JT	993033		13	19.2	38.1	16			

* Note: Please pay attention to the dimensions for your usage.

Fork terminal with insulating sleeves

- > Material: E-CU, sleeves:PVC
- > Coating: tin-plated

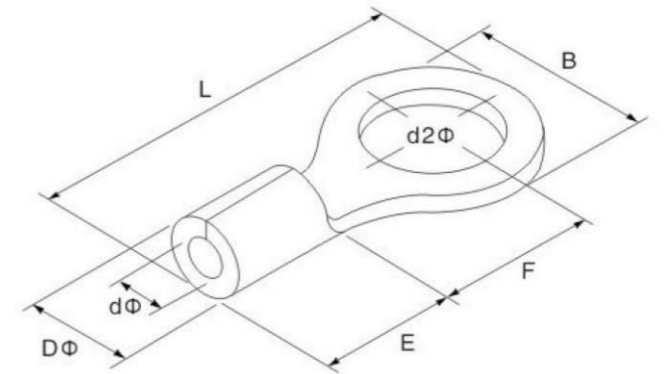


Cross-section	Type	Order No.	Qty Pcs/Package	Dimensions						Color
Max current				d2	B	L	F	H	D	
				mm						
0.5~1.5mm ² I _{max} =19A	RTU1.5/3JT	994001	1000 *	3.2	5.7	21.2	6.5	10.0	4.3	Red
	RTU1.5/3.5JT	994003		3.7	6.4	21.2	6.5			
	RTU1.5/4JT	994006		4.3	7.2	21.2	6.5			
	RTU1.5/5JT	994008		5.3	8.1	21.2	6.5			
	RTU1.5/6JT	994010		6.5	9.5	21.2	6.5			
1.5~2.5mm ² I _{max} =27A	RTU2.5/3JT	994011		3.2	5.7	21.2	6.5	10.0	4.9	Blue
	RTU2.5/3.5JT	994013		3.7	6.0	21.2	6.5			
	RTU2.5/4JT-M	994016		4.3	7.2	21.2	6.5			
	RTU2.5/4JT-S	994032		4.3	6.4	21.2	6.5			
	RTU2.5/5JT	994018		5.3	8.1	21.2	6.5			
2.5~4mm ² I _{max} =37A	RTU2.5/6JT	994020		6.5	9.5	22.1	6.5	13.2	6.2	Black
	RTU4/4JT	994021		4.3	8.0	25.3	7.0			
	RTU4/5JT	994022		5.3	8.0	24.8	7.0			
4~6mm ² I _{max} =48A	RTU4/6JT	994023		6.5	12.0	28.0	12.1	13.2	6.7	Yellow
	RTU6/3.5JT	994024		3.7	8.3	25.2	7.5			
	RTU6/4JT	994026	4.3	9.0	25.6	7.5				
	RTU6/5JT	994027	5.3	9.0	25.6	7.5				
	RTU6/6JT	994029	6.5	12.0	31.2	12.0				
	RTU6/8JT	994030	8.4	14.0	30.0	11.5				

* Note: Please pay attention to the dimensions for your usage.

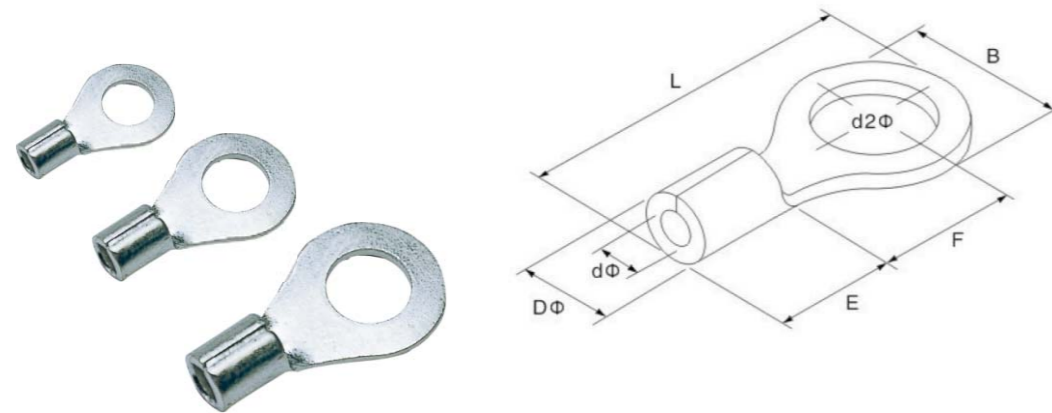
Ring terminal

- > Material: E-CU
- > Coating: tin-plated



Cross-section	Type	Order No.	Qty Pcs/Package	Dimensions							
最大电流				d2	B	L	F	E	D	d	
				mm							
0.5~1.5mm ² I _{max} =19A	RTO1.5/3	995001	1000 *	3.2	5.7	12.6	5.0	4.8	3.4	1.7	
	RTO1.5/3.5	995004		3.7	6.6	14.4	6.3				
	RTO1.5/4-S	995005		4.3	6.6	14.4	6.3				
	RTO1.5/4	995006		4.3	8.0	15.8	6.3				
	RTO1.5/5	995007		5.3	8.0	15.8	7.0				
	RTO1.5/6	995008		6.5	11.6	21.8	7.0				
	RTO1.5/8	995009		8.4	11.6	21.8	11.1				
	RTO1.5/10	995010		10.5	13.6	25.5	13.9				
	RTO1.5/12	995012		13.0	19.2	31.0	16.5				
	RTO2.5/3	995011		3.2	6.6	13.0	4.3				4.8
RTO2.5/3.5	995014	3.7	6.6	16.0	7.0						
RTO2.5/4-S	995015	4.3	6.6	16.0	7.0						
RTO2.5/4	995016	4.3	8.5	16.8	7.8						
RTO2.5/5	995018	5.3	9.5	16.8	7.3						
RTO2.5/6	995019	6.5	12.0	21.8	11.0						
RTO2.5/8	995020	8.4	12.0	21.8	11.0						
RTO2.5/10	995021	10.5	13.6	25.5	13.9						
RTO4/4	995022	4.3	8.0	18.0	7.7	6.0	5.0	3.0			
RTO4/5	995024	5.3	12.0	21.4	7.7						
RTO4/6	995025	6.5	12.0	21.4	7.7						
2.5~4mm ² I _{max} =37A	RTO4/8	995023	8.4	12.0	21.4	7.7	6.8	5.6	3.4		
	RTO6/3.5	995026	3.7	7.2	15.7	5.9					
	RTO6/4	995027	4.3	7.2	15.7	5.9					
	RTO6/4-L	995028	4.3	9.5	19.8	8.3					
	RTO6/5	995029	5.3	9.5	20.8	8.3					
	RTO6/6	995030	6.5	12.0	23.5	13.0					
	RTO6/8	995031	8.4	15.0	28.0	13.7					
	RTO6/10	995032	10.5	15.0	28.0	13.7					
	RTO6/12	995033	13.0	19.2	32.4	16.0					
	RTO10/4	995034	4.3	8.8	23.8	9.3				8.5	7.2
RTO10/5	995037	5.3	12.0	23.8	13.8						
RTO10/6	995039	6.5	15.0	29.8	13.8						
RTO10/8	995040	8.4	15.0	29.8	13.8						
RTO10/10	995041	10.5	15.0	29.8	13.8						
RTO10/12	995042	13.0	22.0	39.5	15.0						

Ring terminal

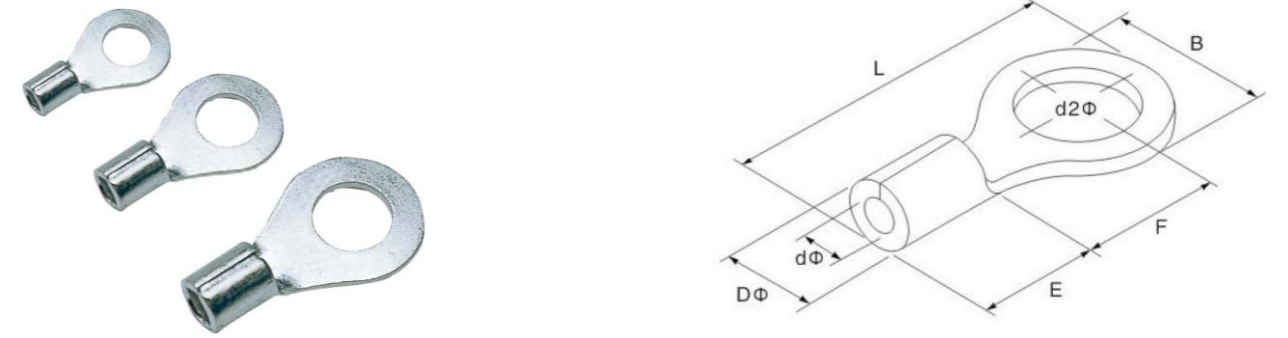


Cross-section Max current	Type	Order No.	Qty Pcs/Package	Dimensions						
				d2	B	L	F	E	D	d
				mm	mm	mm	mm	mm	mm	mm
10~16mm ² I _{max} =88A	RTO16/4	995043	500 *	4.3	12	29.8	13.3	10.5	9	5.8
	RTO16/5	995044		5.3	12	29.8	13.3			
	RTO16/6	995046		6.5	16	32.8	13.3			
	RTO16/8	995047		8.4	16	32.8	14.5			
	RTO16/10	995048		10.5	16	32.8	14.5			
	RTO16/12	995049		13	22	41	19.5			
16~25mm ² I _{max} =115A	RTO25/6	995053	250 *	6.5	16.5	33.7	13.5	12	11.5	7.7
	RTO25/8	995054		8.4	16.5	33.7	13.5			
	RTO25/10	995055		10.5	16.5	33.7	13.5			
	RTO25/12	995056		13	22	42.5	19.5			
25~35mm ² I _{max} =125A	RTO35/5	995057	200 *	5.3	15.3	39	18.7	14	13.3	9.4
	RTO35/6	995058		6.5	15.3	39	18.7			
	RTO35/8-L	995061		8.4	22	42.7	17.7			
	RTO35/10	995062		10.5	22	42.7	17.7			
	RTO35/12	995063		13	22	42.7	17.7			
35~50mm ² I _{max} =150A	RTO50/6	995064	100 *	6.5	22	49.7	20.7	18	15.4	11.4
	RTO50/8	995065		8.4	22	49.7	20.7			
	RTO50/10	995066		10.5	22	49.7	20.7			
	RTO50/12	995067		13	22	49.7	20.7			
	RTO50/14	995128		15	32	57.5	23.5			
	RTO50/16	995127		17	32	57.5	23.5			
	RTO70/6	995068		6.5	24	51	20			
50~70mm ² I _{max} =192A	RTO70/8	995069	100 *	8.4	24	51	20	19.9	17.5	13
	RTO70/10	995070		10.5	24	51	20			
	RTO70/11	995071		11.5	24	51	20			
	RTO70/12	995072		13	24	51	20			
70~95mm ² I _{max} =232A	RTO95/6	995073	50 *	6.5	27	54.2	20.7	20	19.5	14.5
	RTO95/8	995074		8.4	27	54.2	20.7			
	RTO95/10	995075		10.5	27	54.2	20.7			
	RTO95/11	995076		11.5	27	54.2	20.7			
	RTO95/12	995077		13	27	54.2	20.7			
	RTO95/14	995130		15	37	68	32			

* Note: Please pay attention to the dimensions for your usage.

Ring terminal

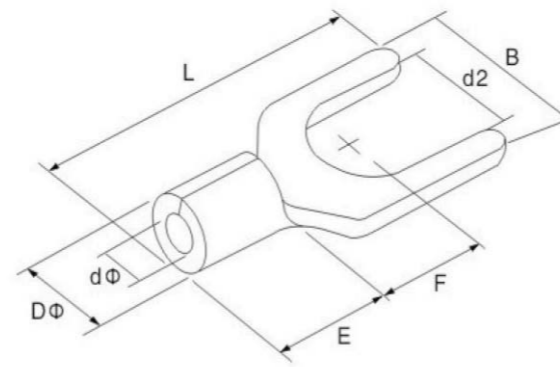
- > Material: E-CU
- > Coating: tin-plated



Cross-section Max current	Type	Order No.	Qty Pcs/Package	Dimensions								
				d2	B	L	F	E	D	d		
				mm	mm	mm	mm	mm	mm	mm		
95-120mm ² I _{max} =269A	RTO120/6	995078	50 *	6.4	28.5	55.6	20.4	21	22.1	16.4		
	RTO120/8	995079		8.4								
	RTO120/10	995080		10.5								
	RTO120/11	995081		11.5								
	RTO120/12	995082		13								
	RTO120/14	995083		15	32	69	32					
	RTO120/16	995084		17								
	RTO120/18	995085		19								
	RTO120/20	995086		21								
	RTO120/22	995087		23								
120-150mm ² I _{max} =309A	RTO150/8	995088	50 *	8.4	36	66	23	27	26.6	19.5		
	RTO150/10	995089		10.5								
	RTO150/11	995090	25 *	11.5								
	RTO150/12	995091		13								
	RTO150/14	995092		15								
	RTO150/16	995093		17								
150-185mm ² I _{max} =353A	RTO185/8	995094	25 *	8.4	38.5	69	24.5	28.5	28.6	21		
	RTO185/10	995095		10.5								
	RTO185/11	995096		11.5								
	RTO185/12	995097		13								
	RTO185/14	995098		15								
	RTO185/16	995099		17	86.6	39						
	RTO185/18	995100		19								
	RTO185/20	995101		21								
	RTO185/22	995102		23								
	RTO185/24	995103		25								
	RTO185/27	995104		28								
185-240mm ² I _{max} =415A	RTO240/8	995105	25 *	8.4	44	72	24.5	31.5	32.6	24		
	RTO240/10	995106		10.5								
	RTO240/12	995108		13								
	RTO240/14	995109		15								
	RTO240/16	995110		17	91	37.5						
	RTO240/18	995111		19								
	RTO240/20	995112		21								
	RTO240/22	995113		23								
	RTO240/24	995114		25								
	RTO300/8	995116		8.4			50.5				88	33.5
	RTO300/10	995117		10.5								
RTO300/12	995119	13	50	105.7	45	35.5	37.1	28				
RTO300/14	995120	15										
RTO300/16	995121	17										
RTO300/18	995122	19										
RTO300/20	995123	21										
RTO300/22	995124	23										
RTO300/24	995125	25										
RTO300/27	995126	28										

Fork terminal

- > Material: E-CU
- > Coating: tin-plated

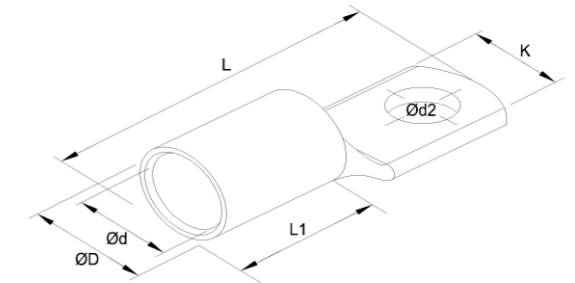


Cross-section	Type	Order No.	Qty Pcs/Package	Dimensions						
				d2	B	L	F	E	D	d
Max current				mm	mm	mm	mm	mm	mm	mm
0.5~1.5mm ² I _{max} =19A	RTU1.5/3	996001	1000 *	3.2	5.7	16.0	6.5	4.8	3.4	1.7
	RTU1.5/3.5	996003		3.7	6.4	16.0	6.5			
	RTU1.5/4	996006		4.3	7.2	16.0	6.5			
	RTU1.5/5	996008		5.3	8.1	16.0	6.5			
	RTU1.5/6	996010		6.5	9.5	16.0	11.0			
1.5~2.5mm ² I _{max} =27A	RTU2.5/3	996011		3.2	5.7	16.0	6.5	4.8	4.1	2.3
	RTU2.5/3.5	996013		3.7	6.0	16.0	6.5			
	RTU2.5/4	996016		4.3	7.2	16.0	6.5			
	RTU2.5/5	996018		5.3	8.1	16.0	6.5			
	RTU2.5/6	996020		6.5	9.5	16.0	11.0			
2.5~4mm ² I _{max} =37A	RTU4/4	996021		4.3	8.0	18.3	7.0	6.0	5.0	3.0
	RTU4/5	996022		5.3	8.0	18.3	7.0			
	RTU4/6	996023		6.5	12.0	21.5	12.1			
4~6mm ² I _{max} =48A	RTU6/3.5	996024		3.7	8.3	19.5	7.5	6.8	5.6	3.4
	RTU6/4	996026		4.3	8.3	19.5	7.5			
	RTU6/5	996027	5.3	9.0	19.5	7.5				
	RTU6/6	996029	6.5	12.0	25.5	12.0				
	RTU6/8	996030	8.4	14.0	24.5	11.5				

* Note: Please pay attention to the dimensions for your usage.

Copper ring terminal

- > Material: E-CU

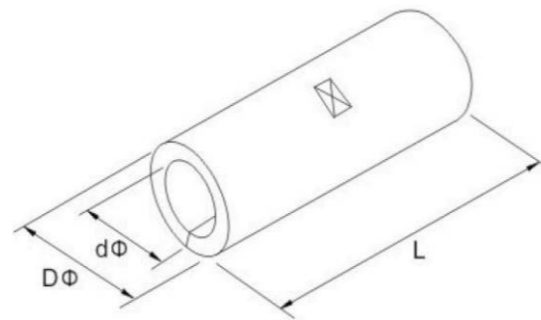


Cross-section	Type	Order No.	Qty Pcs/Package	Dimensions					
				d2	Φd	ΦD	L1	L	K
				mm	mm	mm	mm	mm	mm
1.5mm ²	RTOT1.5/5	995187	1000 *	5.3	1.9	3.35	6.5	18.0	4.5
2.5mm ²	RTOT2.5/4	995188		4.3	2.6	4.0	7.0	18.0	5.5
2.5mm ²	RTOT2.5/5	995189		5.3	2.6	4.0	7.0	20.0	5.5
4mm ²	RTOT4/5	995190		5.3	3.2	4.8	7.5	20.5	6.7
4mm ²	RTOT4/6	995191		6.4	3.2	4.8	7.5	22.0	6.7
6mm ²	RTOT6/5	995192		5.3	3.7	5.3	8.0	24.0	7.5
6mm ²	RTOT6/6	995193	500 *	6.4	3.7	5.3	8.0	24.0	7.5
10mm ²	RTOT10/6	995194		6.4	4.5	6.3	9.0	24.0	9.0
10mm ²	RTOT10/8	995195		8.4	4.5	6.3	9.0	25.0	9.0
16mm ²	RTOT16/6	995196	400 *	6.4	5.7	7.5	11.0	27.5	10.8
16mm ²	RTOT16/8	995197		8.4	5.7	7.5	11.0	29.5	10.8
25mm ²	RTOT25/6	995198	250 *	6.5	7.2	9.0	13.5	34.0	13.2
25mm ²	RTOT25/8	995199		8.4	7.2	9.0	13.5	34.0	13.2
35mm ²	RTOT35/8	995200	200 *	8.4	8.5	10.8	14.5	37.0	15.7
35mm ²	RTOT35/10	995201		10.5	8.5	10.8	14.5	38.0	15.7
50mm ²	RTOT50/8	995202	100 *	8.4	9.8	12.5	17.0	42.5	18.1
50mm ²	RTOT50/10	995203		10.5	9.8	12.5	17.0	44.0	18.1
70mm ²	RTOT70/10	995204		10.5	11.5	14.5	19.5	50.0	21.0
70mm ²	RTOT70/12	995205	80 *	13.0	11.5	14.5	19.5	50.0	21.0
95mm ²	RTOT95/8	995217		8.5	8.4	13.7	17.0	23.5	18.5
95mm ²	RTOT95/10	995206	50 *	10.5	13.7	17.0	23.5	57.0	24.8
95mm ²	RTOT95/12	995207		13.0	13.7	17.0	23.5	57.0	24.8
120mm ²	RTOT120/12	995208	30 *	13.0	15.0	19.0	26.0	63.0	28.6
120mm ²	RTOT120/16	995209		17.0	15.0	19.0	26.0	63.0	28.6
150mm ²	RTOT150/12	995210	10 *	13.0	16.7	21.0	29.0	71.0	30.5
150mm ²	RTOT150/16	995211		17.0	16.7	21.0	29.0	71.0	30.5
185mm ²	RTOT185/16	995212		17.0	18.5	23.0	33.0	79.0	33.5
240mm ²	RTOT240/16	995213		17.0	21.0	26.0	40.0	91.0	38
240mm ²	RTOT240/20	995214		21.0	21.0	26.0	40.0	92.0	38
300mm ²	RTOT300/16	995215	5 *	17.0	24.0	30.0	44.0	100.0	43.8
300mm ²	RTOT300/20	995216		21.0	24.0	30.0	44.0	102.0	43.8

* Note: Please pay attention to the dimensions for your usage.

Parallel Splices

- > Material: E-CU
- > Coating: tin-plated

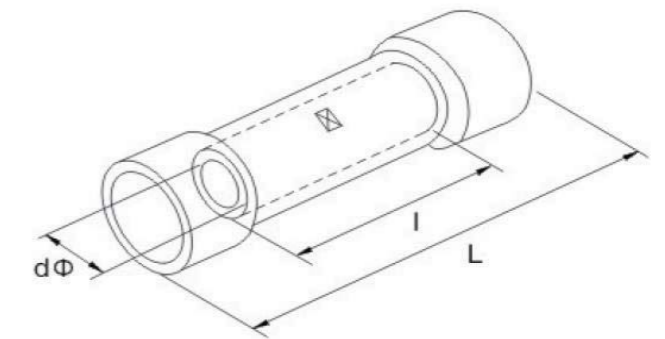


Cross-section	Type	Order No.	Qty Pcs/Package	Dimensions		
				φD	φd	L
mm ²				mm	mm	mm
0.5-1.5mm ²	RMB1.5/15	999601	1000 *	3.3	1.7	15.0
1.5-2.5mm ²	RMB2.5/15	999602		4.0	2.3	15.0
2.5-4mm ²	RMB4/15	999603		5.0	3.0	15.0
4-6mm ²	RMB6/15	999604		5.5	3.4	15.0
6-10mm ²	RMB10/21	999605	500 *	7.1	4.5	21.0
10-16mm ²	RMB16/26	999606		9.0	5.8	26.0
16-25mm ²	RMB25/29	999607	250 *	11.4	7.7	29.0
25-35mm ²	RMB35/32	999608	200 *	13.3	9.4	32.0

* Note: Please pay attention to the dimensions for your usage.

Long parallel splices with insulation

- > Material: E-CU
- > Sleeves: PVC

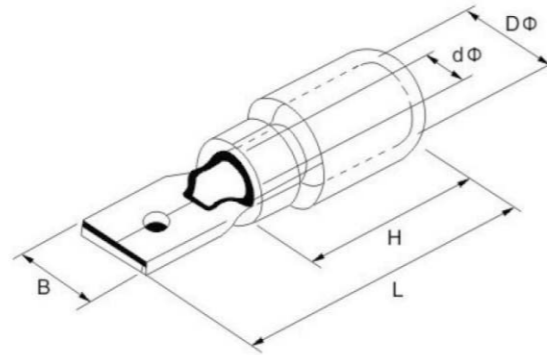


Cross-section	Type	Order No.	Qty Pcs/Package	Dimensions			Color
				l	φd	L	
0.5~1.5mm ² :Imax=19A	RMB1.5/26 JT RD	999701	500	15.0	1.7	26.0	Red
1.5~2.5mm ² :Imax=27A	RMB 2.5/26 JT BU	999702	500	15.0	2.3	26.0	Blue
4~6mm ² :Imax=48A	RMB 6/26 JT YW	999703	200	15.0	3.4	26.0	Yellow
6~10mm ² :Imax=62A	RMB10/32 JT RD	999704	200	21.0	4.5	32.0	Red
10~16mm ² :Imax=88A	RMB 16/42 JT BU	999705	200	26.0	5.8	42.0	Blue
16~25mm ² :Imax=115A	RMB 25/50 JT YW	999706	200	29.0	7.7	50.0	Yellow
35~50mm ² :Imax=160A	RMB 50/55 JT RD	999707	200	32.0	9.4	55.0	Red

* Note: Please pay attention to the dimensions for your usage.

Male disconnect connector with insulating sleeve

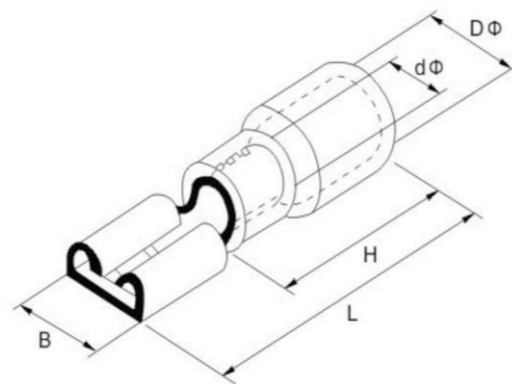
- > Material: copper, sleeve: PVC
- > Coating: tin-plated



Cross-section	Type	Order No.	Qty Pcs/Package	Dimensions					Color
				B	φd	φD	L	H	
0.5~1.5mm ² I _{max} =10A	RTM1.5-1	999508	1000 *	2.8	1.7	4.3	17.7	10.0	Red
	RTM1.5-2	999509		4.75	1.7	4.3	20.0	10.0	Red
	RTM1.5-3	999510		6.35	1.7	4.3	21.0	10.0	Red
1.5~2.5mm ² I _{max} =15A	RTM2.5-1	999511		4.75	2.3	4.3	20.0	10.0	Blue
	RTM2.5-2	999512		6.35	2.3	4.3	21.0	10.0	Blue
4~6mm ² I _{max} =24A	RTM6-1	999513		6.35	3.4	5.7	25.0	13.0	Yellow

Female disconnect connector with insulating sleeve

- > Material: copper, sleeve: PVC
- > Coating: tin-plated



Cross-section	Type	Order No.	Qty Pcs/Package	Dimensions					Color
				B	φd	φD	L	H	
0.5~1.5mm ² I _{max} =10A	RTF1.5-1	999501	1000 *	3.8	1.7	3.8	19.0	10.0	Red
	RTF1.5-2	999502		5.6	1.7	3.8	19.0	10.0	Red
	RTF1.5-3	999503		7.4	1.7	3.8	21.0	10.0	Red
1.5~2.5mm ² I _{max} =15A	RTF2.5-1	999505		5.6	2.3	4.3	19.0	10.0	Blue
	RTF2.5-2	999506		7.4	2.3	4.3	21.0	10.0	Blue
4~6mm ² I _{max} =24A	RTF6-1	999507		7.4	3.4	5.7	25.0	13.0	Yellow

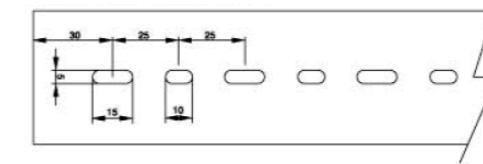
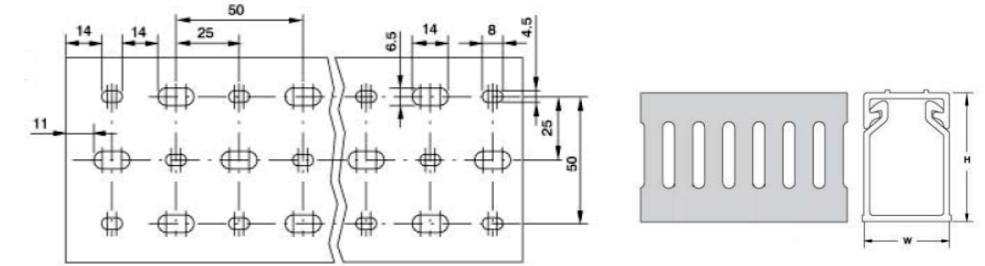
* Note: Please pay attention to the dimensions for your usage.

RXC2 Wire duct

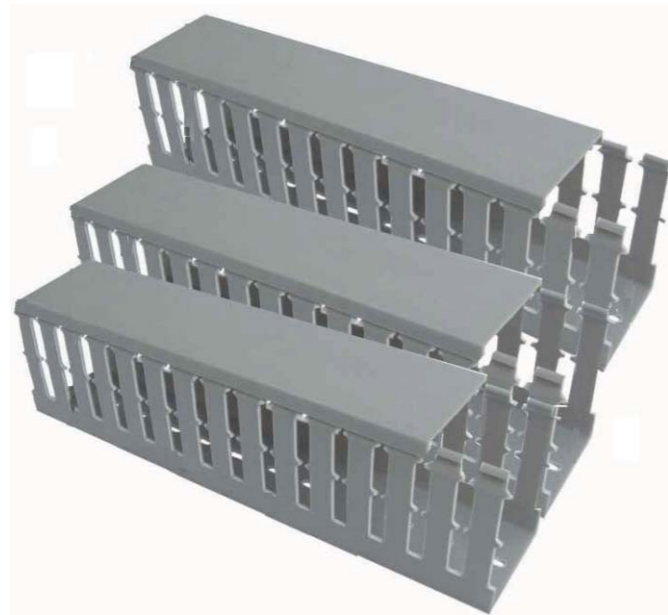
- > Wire ducts are used for internal wiring in the electrical equipment. They serve as mechanical and electrical protection for conductors in electrical equipment with a voltage of 1200V or less. The wire ducts of our company are all made of fire-resistant materials with good mechanical properties and thermal stability.

- > Product features:

Material: Eco-friendly hard PVC
Operating temperature: -25 °C~+65 °C.



Type	Dimensions (mm)		Order No.		Qty Pcs/Pkg
	Groove	None-Groove	Groove (Grey)	None-Groove (Grey)	
RXC2-2015	-	20	15	923910	300
RXC2-2525	-	25	25	923911	100
RXC2-3015	-	30	15	923913	200
RXC2-3025	-	30	25	923914	100
RXC2-3035	-	30	35	923915	100
RXC2-3525	-	35	25	923916	100
RXC2-3535	-	35	35	923917	100
RXC2-3550	-	35	50	923918	100
RXC2-4025	-	40	25	923919	100
RXC2-4040	RXC2-4040A	40	40	923920	100
RXC2-5025	RXC2-5025A	50	25	923921	100
RXC2-5035	RXC2-5035A	50	35	923922	100
RXC2-5045	RXC2-5045A	50	45	923923	80
RXC2-5050	RXC2-5050A	50	50	923924	80
RXC2-5055	-	50	55	923925	60
RXC2-5060	RXC2-5060A	50	60	923926	48
RXC2-5080	RXC2-5080A	50	80	923927	48
RXC2-6040	-	60	40	923928	64
RXC2-6050	RXC2-6050A	60	50	923929	60
RXC2-6055	-	60	55	923930	60
RXC2-6080	-	60	80	923931	36
RXC2-6025	-	60	25	923933	80
RXC2-6545	-	65	45	923934	80
RXC2-8035	RXC2-8035A	80	35	923935	60
RXC2-8040	-	80	40	923936	48
RXC2-8050	RXC2-8050A	80	50	923937	48
RXC2-8060	-	80	60	923938	36
RXC2-8080	RXC2-8080A	80	80	923939	36
RXC2-80100	RXC2-80100A	80	100	923940	24
RXC2-10050	-	100	50	923941	48
RXC2-10080	RXC2-10080A	100	80	923942	24
RXC2-100100	-	100	100	923943	24

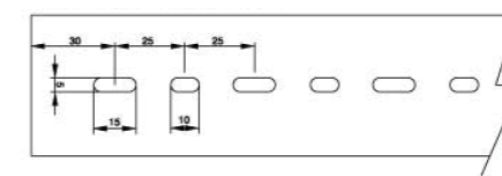
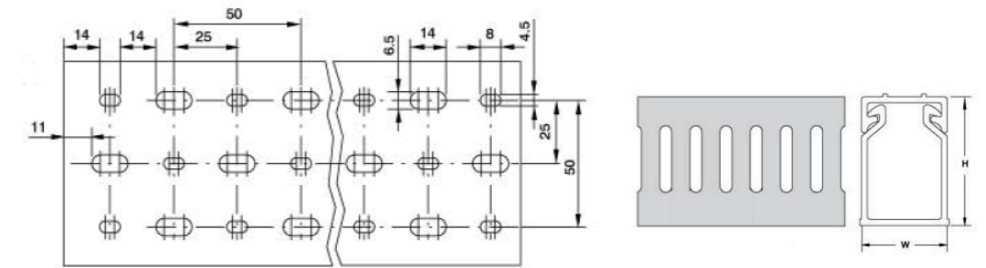


RXC3 Wire duct

> Wire ducts are used for internal wiring in the electrical equipment. They serve as mechanical and electrical protection for conductors in electrical equipment with a voltage of 1200V or less. The wire ducts of our company are all made of fire-resistant materials with good mechanical properties and thermal stability.

> Product features:

Material: Polycarbonate
Operating temperature: -40 °C~+90 °C.



RXC2 Wire duct capacity

Type	Cross-section(mm²) and Max capacity						
	1.5	2.5	4	6	10	16	25
RXC2-2015	15	10	6	5	3	2	1
RXC2-2525	35	20	15	10	6	5	3
RXC2-3015	25	15	10	8	5	3	2
RXC2-3025	40	25	20	15	6	5	3
RXC2-3035	55	40	30	20	10	8	5
RXC2-3525	45	30	25	15	10	6	3
RXC2-3535	65	45	35	20	10	8	5
RXC2-3550	95	65	50	35	20	15	8
RXC2-4025	55	35	25	20	10	8	5
RXC2-4040	90	60	45	30	15	10	6
RXC2-5025	70	45	35	25	10	10	5
RXC2-5035	95	65	50	35	20	15	6
RXC2-5045	125	85	60	45	25	15	10
RXC2-5050	140	95	70	50	25	20	10
RXC2-5055	150	105	75	55	30	20	10
RXC2-5060	165	115	85	60	35	25	15
RXC2-5080	225	155	115	80	45	30	20
RXC2-6040	135	90	65	45	25	20	10
RXC2-6050	165	115	85	60	35	25	15
RXC2-6055	185	125	95	65	35	25	15
RXC2-6080	270	185	135	95	55	40	20
RXC2-6025	92	60	45	30	15	10	6
RXC2-6545	165	115	80	55	30	25	10
RXC2-8035	155	110	80	55	30	20	10
RXC2-8040	180	125	90	65	35	25	15
RXC2-8050	225	155	115	80	45	30	20
RXC2-8060	270	185	135	95	55	40	20
RXC2-8080	360	250	180	130	70	55	30
RXC2-80100	450	310	230	160	90	65	40
RXC2-10050	280	195	140	100	55	40	25
RXC2-10080	450	310	230	160	90	65	40
RXC2-100100	565	390	285	200	115	85	50

Type	Dimensions (mm)		Order No.		Qty Pcs/Pkg
	Groove	None-Groove	Groove (Grey)	None-Groove (Grey)	
RXC3-3535	-	35	923616	-	100
RXC3-4025	-	40	923618	-	100
RXC3-4040	-	40	923619	-	100
RXC3-5035	-	50	923630	-	100
RXC3-5050	-	50	923632	-	80
RXC3-6040	-	60	923636	-	64
RXC3-6025	-	60	923641	-	80
RXC3-8035	-	80	923643	-	60
RXC3-8040	-	80	923644	-	48
RXC3-8050	-	80	923645	-	48
RXC3-8060	-	80	923646	-	36
RXC3-8080	-	80	923647	-	36
RXC3-80100	-	80	923648	-	24
RXC3-10050	-	100	923649	-	48
RXC3-10080	-	100	923650	-	24
RXC3-100100	-	100	923651	-	24

Wire duct cutter

Type : YF-100A

Order No. : 923040

Function: It is used for cutting various kinds of wire ducts (Width: 0-100mm)
Features: Convenient for operating, smooth cross-section, no dust, no noise, saving energy, highly efficient.



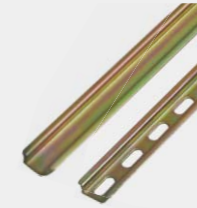


RXC2 Wire duct capacity

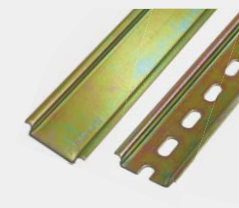
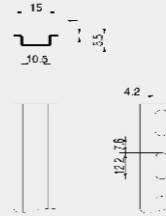
Type	Cross-section(mm) and Max capacity						
	1.5	2.5	4	6	10	16	25
RXC3-3535	65	45	35	20	10	8	5
RXC3-4025	55	35	25	20	10	8	5
RXC3-4040	90	60	45	30	15	10	6
RXC3-5035	95	65	50	35	20	15	6
RXC3-5050	140	95	70	50	25	20	10
RXC3-6040	135	90	65	45	25	20	10
RXC3-6025	92	60	45	30	15	10	6
RXC3-8035	155	110	80	55	30	20	10
RXC3-8040	180	125	90	65	35	25	15
RXC3-8050	225	155	115	80	45	30	20
RXC3-8060	270	185	135	95	55	40	20
RXC3-8080	360	250	180	130	70	55	30
RXC3-80100	450	310	230	160	90	65	40
RXC3-10050	280	195	140	100	55	40	25
RXC3-10080	450	310	230	160	90	65	40
RXC2-100100	565	390	285	200	115	85	50

Steel and Aluminium mounting rails are served. Steel mounting rails are made by zinc plating process. Aluminium mounting rails are made by surface passivation technology. According to IEC60947-7-2, steel rails can be used as equipotential busbar, but without PEN function.

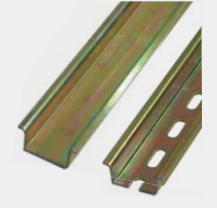
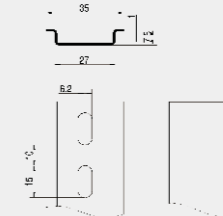
3.5 and 4.5 are applicable to DIN rail RTR15*5.5.
 3.5, 4.5, 5.5, 6.5 are applicable to other 4 types of DIN rails.
 4.5*10 are applicable to DIN rail RTR15*5.5.
 4.5*10, 5.5*10, 6.5*10 are applicable to 4 types of DIN rails.



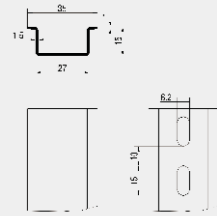
RTR15*5.5



RTR35*7.5



RTR35*15



Order data	Type	Order No.	Type	Order No.	Type	Order No.
	RTR15*5.5*1M	808604	RTR35*7.5*2M	808803	RTR35*15*2M	808704
	RTR15*5.5*1M/C (Perforated)	808603	RTR35*7.5*2M/C (Perforated)	808804	RTR35*15*2M/C (Perforated)	808703
			RTR35*7.5*2M RoHS	808807		
			RTR35*7.5*2M/C RoHS (Perforated)	808808		

Technical data						
Material	St2 zinc-plated GB/T19334-2003	St2 zinc-plated GB/T19334-2003	St2 zinc-plated GB/T19334-2003	St2 zinc-plated GB/T19334-2003	St2 zinc-plated GB/T19334-2003	St2 zinc-plated GB/T19334-2003
	RTR32*15	TR28*9.5AL	TSTW inclined support			

Order data	Type	Order No.	Type	Order No.	Type	Order No.
	RTR32*15*2M	808903	TR 28*9.5*2M AL	926001	TSTW	904056
	RTR32*15*2M/C	808904				

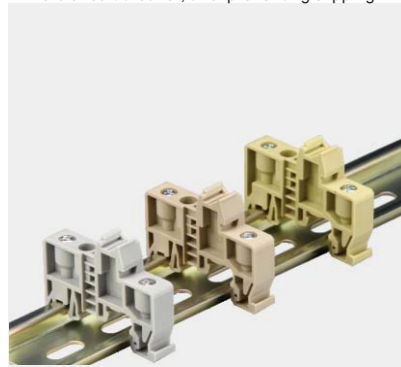
Technical data						
Material	St2 zinc-plated GB/T19334-2003	Aluminium	St2 zinc-plated			
Standard						
	35*7.5 mounting rail shell	35*15 mounting rail shell				

Order data	Type	Order No.	Type	Order No.
	35*7.5	808811	35*15	808711

Material	Pa66	Pa66
----------	------	------

End bracket

It is used for fastening terminal blocks on the mounting rail, micro circuit breaker, and preventing slipping.



RF2



VF4/5



Screwdriver

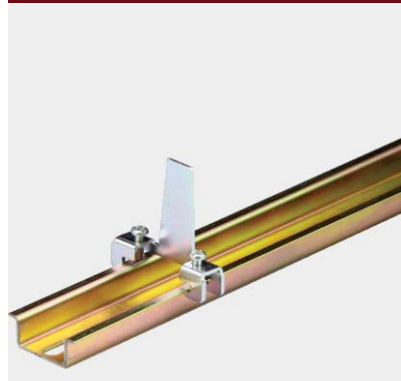


RF5

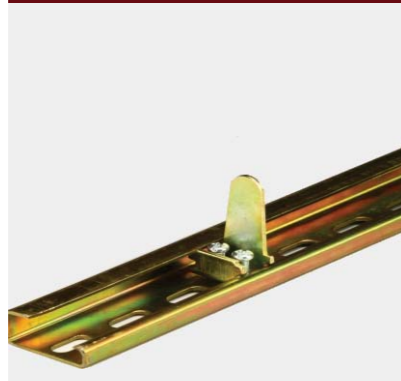


RF3

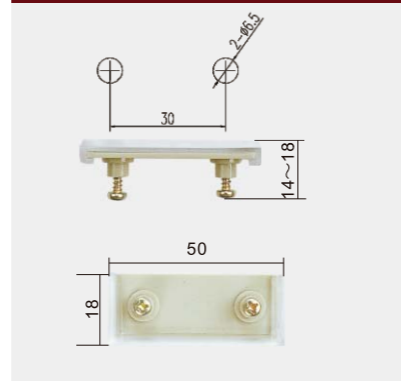
Type	Order No.
RSD 0.6 × 3.5-100	614001



RF1



GDQ2



Marking plate

Type	Order No.
PH-18	946003

It is used for marking numbers on device shells of thickness (1.0~3.0mm).

Specification

Type	Thickness (mm)	Mounting rail	Color	Order No.
VF4-5	9.5	35mm和32mm	Beige	810088
			Dark Beige	820088
			Grey	811088
RF2	9.5	35mm和32mm	Beige	810981
			Dark Beige	820918
			Grey	811918
RF3	9.5	35mm	Grey	815088
RF5	10	35mm和28mm	Grey	833088
RF1	12	RTR35*15	Grey	810089
GDQ2	14	RTR32*15	Grey	847011



RSB Circle wiring ducts

Material: Pa66 (Grey), attached glue
Feature: Connection points at the both ends of wiring ducts, which can realize the joint of two ducts.

Type	Order No.	Inner Dimension(W*H)	Conductor capacity (based on2.5mm ²)	Length (mm)
RBS-20	923701	20×15	5~12pcs	403
RBS-30	923702	30×25	10~25pcs	403



PKD Cable tie

Function: To tie cables in controlled unit.
Colors: Beige, Black, Red, and Blue.

Type	Order No.	Type	Order No.
PKD80x2.4WH	927001	PKD430x4.8WH	927029
PKD90x2.4WH	927002	PKD450x4.8WH	927030
PKD100x2.5WH	927003	PKD530x4.8WH	927031
PKD120x2.5WH	927004	PKD550x4.8WH	927032
PKD140x2.5WH	927005	PKD635x4.8WH	927033
PKD150x2.5WH	927006	PKD685x4.8WH	927034
PKD160x2.5WH	927007	PKD735x4.8WH	927035
PKD200x2.5WH	927008	PKD830x4.8WH	927036
PKD250x2.5WH	927009	PKD925x4.8WH	927037
PKD300x2.5WH	927010	PKD150x7.6WH	927038
PKD120x3.6WH	927011	PKD200x7.6WH	927039
PKD140x3.6WH	927012	PKD250x7.6WH	927040
PKD150x3.6WH	927013	PKD300x7.6WH	927041
PKD180x3.6WH	927014	PKD368x7.6WH	927042
PKD200x3.6WH	927015	PKD450x7.6WH	927043
PKD250x3.6WH	927016	PKD530x7.6WH	927044
PKD300x3.6WH	927017	PKD430x9.0WH	927045
PKD370x3.6WH	927018	PKD450x9.0WH	927046
PKD120x4.8WH	927019	PKD526x9.0WH	927047
PKD150x4.8WH	927020	PKD610x9.0WH	927048
PKD160x4.8WH	927021	PKD710x9.0WH	927049
PKD188x4.8WH	927022	PKD776x9.0WH	927050
PKD200x4.8WH	927023	PKD815x9.0WH	927051
PKD250x4.8WH	927024	PKD912x9.0WH	927052
PKD280x4.8WH	927025	PKD1020x9.0WH	927053
PKD300x4.8WH	927026	PKD1070x9.0WH	927054
PKD370x4.8WH	927027	PKD1220x9.0WH	927055
PKD390x4.8WH	927028	PKD1530x9.0WH	927056