

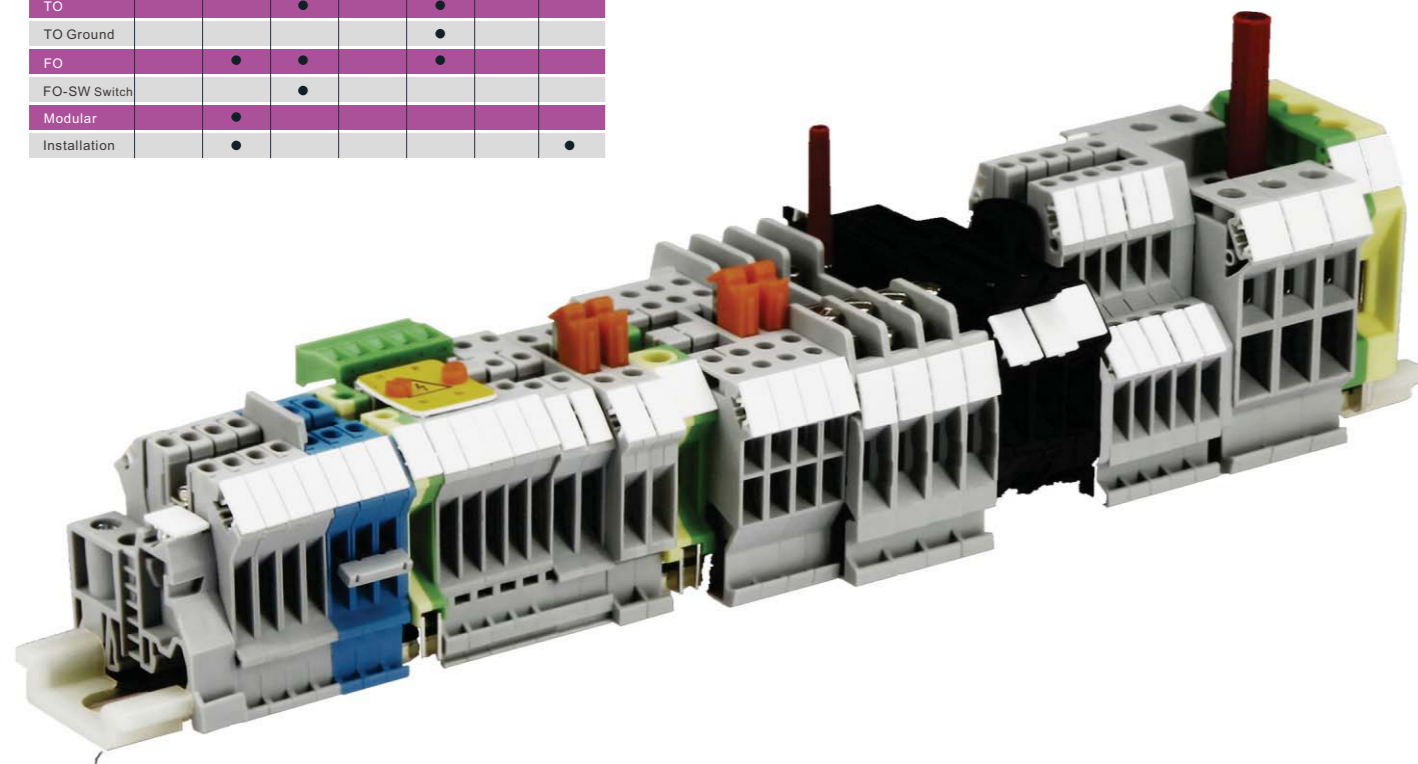
RCT SERIES COPPER FEED-THROUGH TERMINAL BLOCKS

General Information

- > Copper-clamping structure with self-locking function and high contact pressure
- > Provide with lasting protection in severe environment of humidity and salt-fog
- > Conform to RoHS compliance
- > Conductors' cross sectional area range: 0.14~35mm²
- > Provide with multifunction terminal blocks of TEST, SWITCH, FUSE, MODULAR types

Model Overview

Rated cross sectional area	1.5mm ²	2.5mm ²	4mm ²	6mm ²	10mm ²	16mm ²	35mm ²
Universal	●	●	●	●	●	●	●
Micro		●					
Ground	●	●	●	●	●	●	●
Fuse			●			●	
Test				●			
Switch			●				
Double Level		●	●				
TO			●		●		
TO Ground					●		
FO		●	●		●		
FO-SW Switch			●				
Modular		●					
Installation		●					●



Specifications

Imported first-rate insulating material

- Imported Nylon Pa66 guarantees good insulating properties, flammability, toughness and aging resistance for insulated parts.
- Highly corrosion resistance properties effectively resist termites, anaerobe, fungus, and commonly used detergent, like most oils, lipids, alcohol and carbon tetrachloride.

Good electrical properties

- Copper clamping yokes are with stable structure and highly precise dimension. The flat bottom of clamping yokes guarantees tight clamping of extreme thin conductors, which provides safe and reliable connection.
- Cross grain on red-copper conducting plates separates plates from possible oxide layer to achieve good anti-pull connection.
- High contact pressure ensures good air tightness performance, which achieves lasting stable connection in corrosion environment.

Good anti-corrosion properties

- Conductor plates adopts tin-plating red-copper; while, clamping yokes and screws adopt tin-plating copper alloy, which provides lasting protection in severe environment of humidity and salt-fog.



Operating conditions

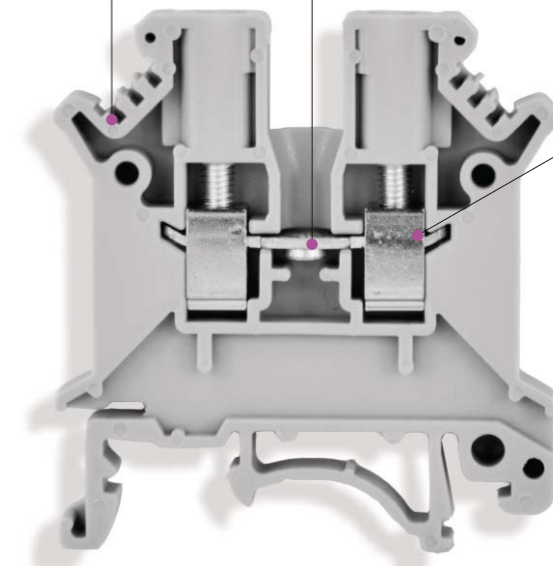
- Temperature: -25°C ~+55°C
- Relative humidity: ≤90%
- Altitude: ≤2000m
When terminal blocks operated in altitude 2000m, rated voltage will relatively descend, which caused by air cooling and decline of dielectric strength.
- Installation class: III
- Pollution degree: III

Standard requirement

- GB/T14048.7/8/18
- IEC60947-7-1/-2/-3
- UL1059

Certification

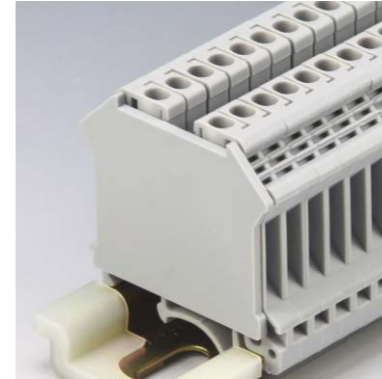
- CE / CUL / UL / TÜV / RoHS



Reliable mechanical properties

- Applying "Reakdyn principle" to prevent screw loosening. The metal parts and conductors of terminal blocks are copper, so their heat expansion and cold contraction coefficient are equivalent. Large fluctuating of temperature will not make mechanical stress, which avoids connection loosening.
- The tightening torque is 50% higher than national standard.

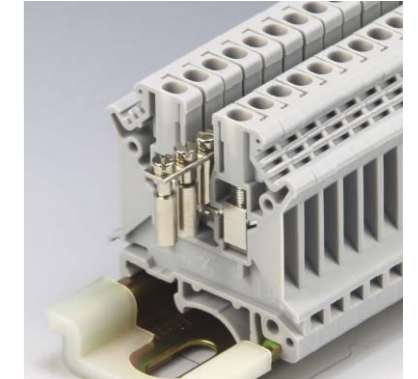
Constaction

**[End cover]**

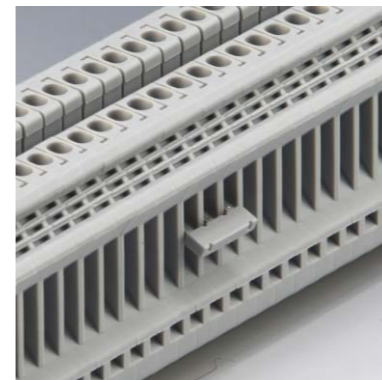
It is used to close the open side of terminal block strip, to electrically separate contiguous cross-connections, and to separate different types of terminal blocks.

**[Small partition]**

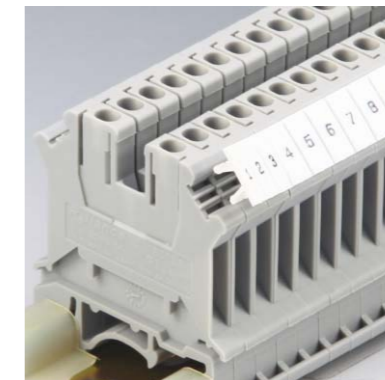
It is used to electrically separate contiguous cross-connections.

**[Cross-connection]**

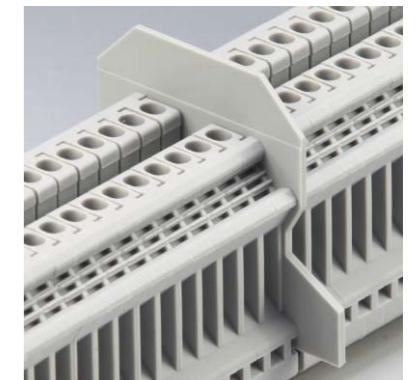
It is used to laterally connect terminal blocks. It is installed in the connection holes on conducting plates. And it allows to flow 70% of rated current and provides arbitrary pole of connection mode.

**[Insertion bridge]**

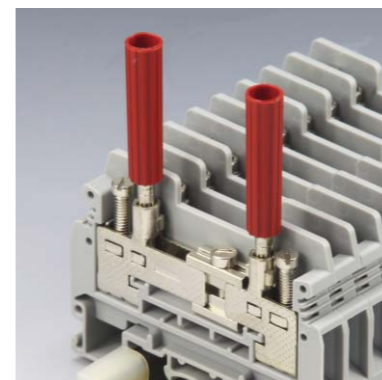
It is installed on the above part of clamping conductors, which spares the cross channel of terminal blocks. The conductor's max. cross-section area needs to be decreased, when it is used.

**[Marking tags]**

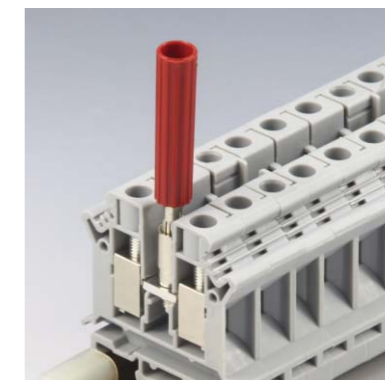
Less than 10mm², all types have its corresponding size marking tags. They can be installed by strip. The larger marking area is, the more sections can be printed on and the clearer marking are.

**[Partition plate]**

It is used to visually group terminal block strip and to achieve electrical isolation.

**[Test plug]**

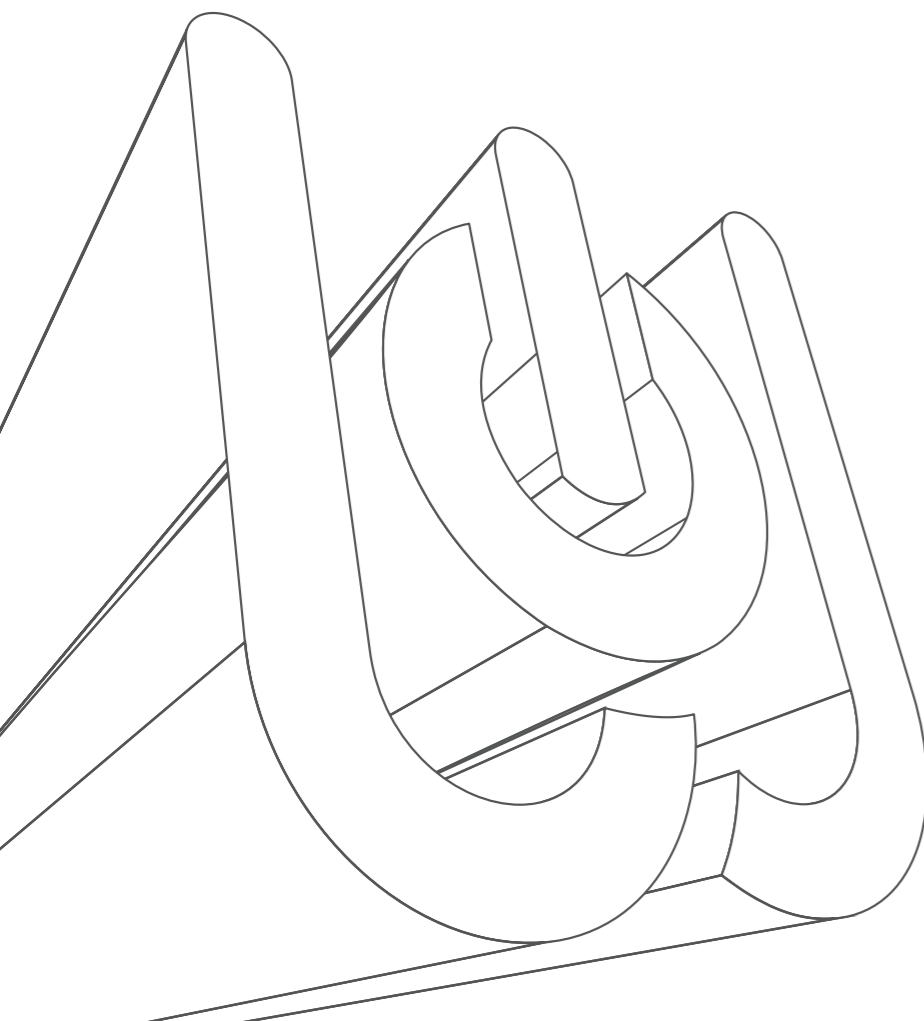
CPS2.3, CPS4 are composed of metal parts and insulating sleeve, which is used for terminal block test.

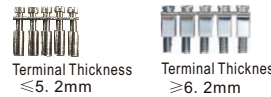
**[Test plug holder]**

It is used to connect plug to test electrical properties of terminal blocks.

**[Caution marking]**

It is fastened on conductor holder by plastic screw. It is used to identify and mark conductor holder which connects conductor wires. And protection cover plate with danger warning sign are also provided.



	RCT1.5 Universal			RCT2.5 Micro			RCT2.5E Installation			RCT2.5 Universal			RCT4 Universal			RCT6 Universal			RCT10 Universal														
Dimensions				Mounting rail: RTR15*5.5																													
Width/Length/Height (mm) *	42.5/4.2/(42/47)			28/5.2/(32/*)			42.5/6.2/(42/47)			42.5/5.2/(47/52)			42.5/6.2/(47/52)			42.5/8.2/(47/52)			42.5/10.2/(47/52)														
Stripping Length(mm)/Clamping screw/Tightening torque ▲	7/M2/0.22-0.25			8/M3/0.6-0.8			8/M3/0.6-0.8			8/M3/0.6-0.8			8/M3/0.6-0.8			10/M4/1.5-1.8			10/M4/1.5-1.8														
Rated data																																	
Rated Voltage/Rated current/Rated cross-section	500V/17.5A/1.5mm ²			500V/32A/2.5mm ²			690V/32A/2.5mm ²			800V/32A/2.5mm ²			800V/41A/4mm ²			800V/57A/6mm ²			800V/76A/10mm ²														
Rated impulse voltage/Pollution severity	6kV/3			6kV/3			8kV/3			8kV/3			8kV/3			8kV/3			8kV/3														
Cross-connection I _{max}	12A			30A			32A			30A			41A			57A			76A														
Clampable conductors(mm²)																																	
Solid	0.14.....1.5			0.2.....4			0.2.....4			0.2.....4			0.2.....6			0.2.....10			0.5.....16														
Stranded	0.14.....1.5			0.2.....2.5			0.2.....2.5			0.2.....2.5			0.2.....4			0.2.....6			0.5.....10														
Stranded with ferrule	0.14.....0.75			0.2.....1.5			0.2.....1.5			0.2.....1.5			0.2.....2.5			0.2.....6			0.5.....6														
<small>Max. clampable conductors with insertion bridge (Solid/ Stranded)</small>																																	
Ordering data	Color	Type	Qty	Order No.	Type	Qty	Order No.	Type	Qty	Order No.	Type	Qty	Order No.	Type	Qty	Order No.	Type	Qty	Order No.	Type	Qty	Order No.											
	Grey	RCT 1.5 GY	120	811001	RCT2.5M GY	200	811020	RCT 2.5E GY	100	811042	RCT2.5 GY	100	811002	RCT4 GY	100	811003	RCT6 GY	100	811004	RCT10 GY	50	811005											
	Blue	RCT 1.5 BU	120	813001				RCT 2.5E BU	100	813042	RCT2.5 BU	100	813002	RCT4 BU	100	813003	RCT6 BU	100	813004	RCT10 BU	50	813005											
End cover	Thickness:1.5mm			Thickness:1.5mm			Thickness:1.5mm			Thickness:1.8mm			Thickness:1.8mm			Thickness:1.8mm			Thickness:1.8mm														
	Grey	RCP1.5 GY		811061	RCP2.5M		811302	RCP1.5		811061	RCP2.5-10 GY		811062	RCP2.5-10 GY		811062	RCP2.5-10 GY		811062	RCP2.5-10 GY		811062											
	Blue	RCP1.5 BU		813061				RCP1.5BU		813061	RCP2.5-10 BU		813062	RCP2.5-10 BU		813062	RCP2.5-10 BU		813062	RCP2.5-10 BU		813062											
Small partition				BSS3			BSS3			BS3			BS3			BS3			BS3														
				811083			811083			811082			811082			811082			811082														
Partition plate	RCP			811081			RCP			811081			RCP			811081			RCP			811081											
Cross-connection																																	
	2-Pole	CQ2-1.5		811102	CQ2-2.5		811112	CQ2-4		811122	CQ2-2.5		811112	CQ2-4		811122	CQ2-6		811132	CQ2-10		811142											
	3-Pole	CQ3-1.5		811103	CQ3-2.5		811113	CQ3-4		811123	CQ3-2.5		811113	CQ3-4		811123	CQ3-6		811133	CQ3-10		811143											
	4-Pole	CQ4-1.5		811104	CQ4-2.5		811114	CQ4-4		811124	CQ4-2.5		811114	CQ4-4		811124	CQ4-6		811134	CQ4-10		811144											
	10-Pole	CQ10-1.5		811110	CQ10-2.5		811120	CQ10-4		811130	CQ10-2.5		811120	CQ10-4		811130	CQ10-6		811140	CQ10-10		811150											
Insertion bridge	Fully insulated																																
	2-Pole			CQB2-2.5			811212			CQB2-4			811222			CQB2-6			811232			CQB2-10			811242								
	3-Pole			CQB3-2.5			811213			CQB3-4			811223			CQB3-6			811233			CQB3-10			811243								
	4-Pole			CQB4-2.5			811214			CQB4-4			811224			CQB4-6			811234			CQB4-10			811244								
	10-Pole			CQB10-2.5			811220			CQB10-4			811230			CQB10-6			811240			CQB10-10			811250								
End bracket	VF4/5			811088			RF6			811917			VF4/5			811088			VF4/5			811088			VF4/5			811088					
	RF2			811918			RF2			811918			RF2			811918			RF2			811918			RF2			811918					
Test plug socket				CSB3			811086			CSB3			811086			CSB4			811087			CSB4			811087								
Test plug				CPS2.3			811089			CPS2.3			811089			CPS4			811090			CPS4			811090								
Caution marking				CW3-2.5			811092			CW3-4			811093			CW3-6			811094			CW3-10			811095								
Screwdriver	Size(thickness* width)			0.4X2.5			0.6X3.5			0.6X3.5			0.6X3.5			0.6X3.5			1.0X4.0			1.0X4.0											
Marking tags	Blank			TM8.5/4			811901			TM10.5/5			811902			TM10.5/6			811903			TM10.5/8			811904			TM10.5/10			811905		
	Marking direction: horizontal			TM8.5/4H			811911			TM10.5/5H			811912			TM10.5/6H			811913			TM10.5/8H			811914			TM10.5/10H			811915		
	Marking direction: vertical			TM8.5/4V			811921			TM10.5/5V			811922			TM10.5/6V			811923			TM10.5/8V			811924			TM10.5/10V			811925		

* Note: The dimensions are measured when terminals are installed on mounting rails RTR35 and RTR32.
 * for RTR35*7.5, * for RTR32*15.

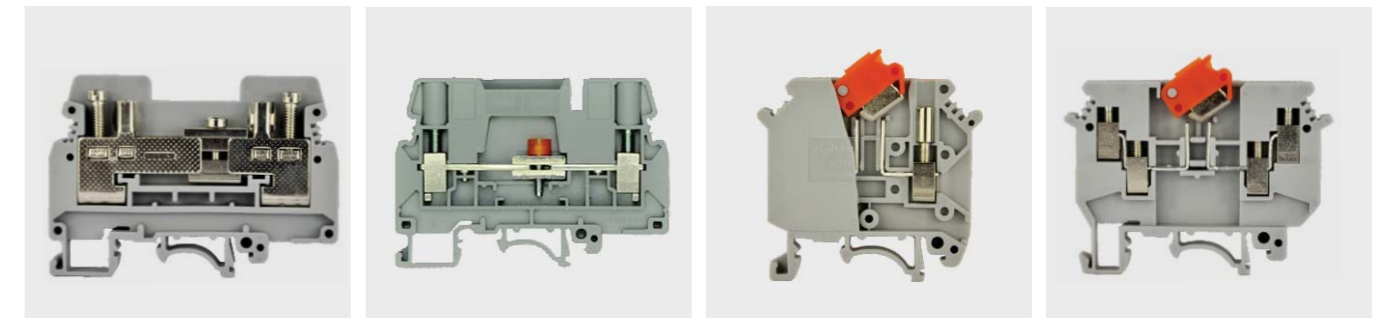
▲ Note: Please choose the right tool strictly following the torque range.



RCT1.5 Universal **RCT35E Installation** **RCT35 Universal**

Dimensions										
Width/Length/Height (长/宽/高)mm	*	42.5/12.2/ (54/59)	55/15.2/ (53/58)	50/15.2/ (62/67)						
Stripping Length(mm)/Clamping screw/Tightening torque ▲		11/M4/1.5-1.8	16/M6/3.2-3.7	16/M6/3.2-3.7						
Rated data										
Rated Voltage/Rated current/Rated cross-section		800V/101A/16mm ²	800V/125A/35mm ²	1000V/150A/35mm ²						
Rated impulse voltage/Pollution severity		8kV/3	8kV/3	8kV/3						
Cross-connection I _{max}		101A	150A	150A						
Clampable conductors(mm ²)										
Solid		2.5.....16	0.75.....16	0.75.....16						
Stranded		4.....16	0.75.....35	0.75.....35						
Stranded with ferrule		4.....16	0.75.....35	0.75.....35						
Max. clampable conductors with insertion bridge (Solid/ Stranded)		16/16	35/35	35/35						

Ordering data	Color	Type	Qty	Order No.	Type	Qty	Order No.	Type	Qty	Order No.
	Grey	RCT16 GY	30	811006	RCT35E GY	20	811047	RCT35 GY	30	811007
	Blue	RCT16 BU	30	813006	RCT35E BU	20	813047	RCT35 BU	30	813007
End cover		Thickness:1.5mm		Closed housing without cover			Closed housing without cover			
	Grey	RCP16 GY		811063						
	Blue	RCP16 BU		813063						
Small partition		BS3		811082	BS3		811082	BS3		811082
Partition plate		RCP		811081						
Cross-connection		2-Pole	CQ2-16	811152	CQ2-35	811162	CQ2-35	811162		
		3-Pole	CQ3-16	811153	CQ3-35	811163	CQ3-35	811163		
		4-Pole	CQ4-16	811154	CQ4-35	811164	CQ4-35	811164		
		10-Pole	CQ10-16	811160	CQ10-35	811170	CQ10-35	811170		
Insertion bridge		Fully insulated 2-Pole								
		3-Pole								
		4-Pole								
		10-Pole	CQB10-16	811260	CQB10-35	811270	CQB10-35	811270		
End bracket		VF4/5		811088	VF4/5	811088	VF4/5	811088		
		RF2		811918	RF2	811918	RF2	811918		
Test plug socket		CSB4		811087						
Test plug		CPS4		811090						
Caution marking		CW3-16		811096	CW3-35	811097	CW3-35	811097		
Screwdriver		Size(thickness* width)	1.0X4.0		1.0X6.5		1.0X6.5			
Marking tags		Blank	TM10.5/10	811905	TM10.5/10	811905	TM10.5/10	811905		
		Marking direction: horizontal	TM10.5/10H	811915	TM10.5/10H	811915	TM10.5/10H	811915		
		Marking direction: vertical	TM10.5/10V	811925	TM10.5/10V	811925	TM10.5/10V	811925		



RCT6T1 Test **RCT6T2 Test** **RCT4SW Knife disconnect** **RCT4SW Double with knife disconnect**

72/8.2/ (51.5/56)	73/8.2/ (51.5/56)	51/6.2/ (58.5/63.5)	63.5/6.2/ (47/52)
13/M4/1.2-1.5	13/M4/1.2-1.5	8/M3/0.5-0.6	8/M3/0.6-0.8
400V/57A/6mm ²	1000V/57A/6mm ²	800V/16A/4mm ²	690V/16A/4mm ²
6kV/3	6kV/3	8kV/3	8kV/3
45A	45A		
0.5.....10	0.5.....10	0.2.....4	0.2.....6
0.5.....6	0.5.....6	0.2.....4	0.2.....4
0.5.....6	0.5.....6	0.5.....2.5	0.5.....2.5
		4/4	2.5/2.5

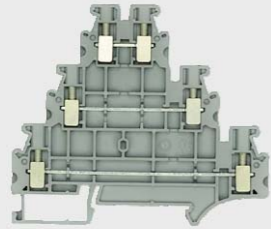
Type	Qty	Order No.	Type	Qty	Order No.	Type	Qty	Order No.	Type	Qty	Order No.
RCT6T1	50	811023	RCT6T2	50	811024	RCT4SW	50	811033	RCT4FO-SW	60	811032
Thickness:2.2mm		Thickness:2.2mm		Closed housing without cover		Thickness:1.5mm					
RCP6T1		811070	RCP6T1		811070				RCP4FO		811077
BS6T		811209	BS6T		811209						
Thickness:0.8mm		Thickness:0.8mm									
RDP6T1		811073	RDP6T1		811073						
CQ2-6T1		811192	CQ2-6T2		811352						
CQ3-6T1		811193	CQ3-6T2		811353						
CQ4-6T1		811194	CQ4-6T2		811354						
CQ10-6T1		811200	CQ10-6T2		811360						
CQB2-6		811232	CQB2-6		811232	CQB2-4		811222	CQB2-4		811222
CQB3-6		811233	CQB3-6		811233	CQB3-4		811223	CQB3-4		811223
CQB4-6		811234	CQB4-6		811234	CQB4-4		811224	CQB4-4		811224
CQB10-6		811240	CQB10-6		811240	CQB10-4		811230	CQB10-4		811230
VF4/5		811088	VF4/5		811088	VF4/5		811088	VF4/5		811088
RF2		811918	RF2		811918	RF2		811918	RF2		811918
CPS4		811090	CPS4		811090	CPS2.3		811089	CPS2.3		811089
1.0X4.0			1.0X4.0			0.6X3.5			0.6X3.5		
TM10.5/8		811904	TM10.5/8		811904	TM10.5/6		811903	TM10.5/6		811903
TM10.5/8H		811914	TM10.5/8H		811914	TM10.5/6H		811913	TM10.5/6H		811913
TM10.5/8V		811924	TM10.5/8V		811924	TM10.5/6V		811923	TM10.5/6V		811923

	RCT4TO Twin conductor			RCT10TO Twin conductor			RCT2.5 I 5.08 Modular			RCT4F Fuse			RCT4FLD Fuse with indication			RCT16F Fuse			RCT16FLD Fuse with indication								
Dimensions																											
Width/Length/Height (mm) *	50.5/6.2/ (47/52)			56.5/10.2/ (59/64)			46.3/5.08/ (47/52)			72.5/8.2/ (56.5/61.5)			72.5/8.2/ (56.5/61.5)			62/12/ (59/64)			62/12/ (59/64)								
Stripping Length(mm)/Clamping screw/Tightening torque ▲	8/M3/0.6-0.8			11/M4/1.5-1.8			8/M3/0.6-0.8			8/M3/0.6-0.8			8/M3/0.6-0.8			11/M4/1.5-1.8			11/M4/1.5-1.8								
Rated data																											
Rated Voltage/Rated current/Rated cross-section	500V32A/4mm ²			800V76A/10mm ²			250V/12A/2.5mm ²			800V/6.3A/4mm ²			-/6.3A/4mm ²			800V/10A/16mm ²			-/10A/16mm ²								
Rated impulse voltage/Pollution severity	6kV/3			8kV/3			4kV/3			6kV/3			6kV/3			4kV/3			4kV/3								
Cross-connection I _{max}	I _{max} :32A			I _{max} :76A			I _{max} :12A									I _{max} :63A			I _{max} :63A								
Clampable conductors(mm²)																											
Solid	0.2.....4			0.5.....16			0.2.....4			0.2.....4			0.2.....4			0.5.....16			0.5.....16								
Stranded	0.2.....4			0.5.....10			0.2.....2.5			0.2.....4			0.2.....4			0.5.....10			0.5.....10								
Stranded with ferrule	0.2.....2.5			0.5.....6			0.2.....2.5			0.2.....4			0.2.....4			0.5.....10			0.5.....10								
Max. clampable conductors with insertion bridge (Solid/ Stranded)	4/4			16/10			2.5/2.5			4/4			4/4			10/10			10/10								
Ordering data	Color	Type	Qty	Order No.	Type	Qty	Order No.	Type	Qty	Order No.	Type	Qty	Order No.	Type	Qty	Order No.	Type	Qty	Order No.	Type	Qty	Order No.					
	Grey	RCT4TOGY	60	811034	RCT10TOGY	50	811043	RCT2.5I5.08GY	100	811016				RCT4FLD BK (15V-230V)	50	811035				RCT16FLD BK (15-30V) (5x20)	20	811037					
	Black													RCT4FLD BK (110V-250V)	50	811036				RCT16FLD BK (110-250V) (5x20)	20	811038					
End cover				Closed housing without cover																							
	Grey	RCP4TO		811076				RCP2.5I5.08		811079																	
	Blue																										
Small partition																											
		BS3		811082	BSS3		811083	BSS3		811083										BSS3		811083	BSS3		811083		
Shield							FG-RCT2.5I5.08																				
Cross-connection																											
	2-Pole	CQ2-4		811122	CQ2-10		811142	CQ2-2.5		811112										CQ2-16		811152	CQ2-16		811152		
	3-Pole	CQ3-4		811123	CQ3-10		811143	CQ3-2.5		811113										CQ3-16		811153	CQ3-16		811153		
	4-Pole	CQ4-4		811124	CQ4-10		811144	CQ4-2.5		811114										CQ4-16		811154	CQ4-16		811154		
	10-Pole	CQ10-4		811130	CQ10-10		811150	CQ10-2.5		811120										CQ10-16		811160	CQ10-16		811160		
Insertion bridge																											
	Fully insulated 2-Pole	CQB2-4		811222	CQB2-10		811242	CQB2-2.5		811212				CQB2-6		811232	CQB2-6		811232								
	3-Pole	CQB3-4		811223	CQB3-10		811243	CQB3-2.5		811213				CQB3-6		811233	CQB3-6		811233								
	4-Pole	CQB4-4		811224	CQB4-10		811244	CQB4-2.5		811214				CQB4-6		811234	CQB4-6		811234								
	10-Pole	CQB10-4		811230	CQB10-10		811250	CQB10-2.5		811220				CQB10-6		811240	CQB10-6		811240				CQB10-16		811260	CQB10-16	811260
End bracket																											
	VF4/5			811088	VF4/5		811088	VF4/5		811088				VF4/5		811088	VF4/5		811088				VF4/5		811088	VF4/5	811088
	RF2			811918	RF2		811918	RF2		811918				RF2		811918	RF2		811918				RF2		811918	RF2	811918
Test plug socket																											
		CSB3		811086	CSB4		811087	CSB3		811086										CSB4		811087	CSB4		811087		
Test plug																											
		CPS2.3		811089	CPS4		811090	CPS2.3		811089										CPS4		811090	CPS4		811090		
Caution marking																											
		CW3-4		811093	CW3-10		811095	CW3-2.5		811092				Fuse			Fuse			Fuse			Fuse				
														GFA5x20 / GFA5x25			GFA5x20 / GFA5x25			GFA5x20			GFA5x20				
														Breaking capacity 1.5KA			Breaking capacity 1.5KA			Breaking capacity 1.5KA			Breaking capacity 1.5KA				
Screwdriver																											
	Size(thickness* width)	0.6X3.5			1.0X4.0			0.6X3.5						0.6X3.5			0.6X3.5			1.0X4.0			1.0X4.0				
Marking tags																											
	Blank	TM10.5/6		811903	TM10.5/10		811905	TM10.5/5		811902				TM10.5/8		811904	TM10.5/8		811904	TM10.5/8		811904	TM10.5/8		811904		
	Marking direction: horizontal	TM10.5/6H		811913	TM10.5/10H		811915	TM10.5/5H		811912				TM10.5/8H		811914	TM10.5/8H		811914	TM10.5/8H		811914	TM10.5/8H		811914		
	Marking direction: vertical	TM10.5/6V		811923	TM10.5/10V		811925	TM10.5/5V		811922				TM10.5/8V		811924	TM10.5/8V		811924	TM10.5/8V		811924	TM10.5/8V		811924		

* Note: The fuse are chosen according to current value, referring to the table of Fuse Specifications.
G-type fuse are mainly used for electric short-circuit and overload protection.

▲ Note: when fuse burns out, the circuit in terminal blocks of fuse with light indication still has current.
When connected with DC, please notice the anode and cathode of LED.

	RCT2.5FO Double			RCT4FO Double			RCT10FO Double			RCT2.5D Double level			RCT4D Double level			RCT2.5DL Double level			RCT4DL Double level			
Dimensions																						
Width/Length/Height (mm)	63.5/52/ (47/52.5)			63.5/62/ (47/52.5)			65.5/102/ (57.2/62)			56/52/ (62/67)			56/62/ (62/67)			67.2/52/ (62/67)			67.2/62/ (62/67)			
Stripping Length(mm)/Clamping screw/Tightening torque	8/M3/0.6-0.8			8/M3/0.6-0.8			11/M4/1.5-1.8			8/M3/0.6-0.8			8/M3/0.6-0.8			8/M3/0.6-0.8			8/M3/0.6-0.8			
Rated data																						
Rated Voltage/Rated current/Rated cross-section	500V/32A/2.5mm ²			690V/32A/4mm ²			800V/57A/10mm ²			500V/32A/2.5mm ²			500V/32A/4mm ²			500V/32A/2.5mm ²			500V/32A/4mm ²			
Rated impulse voltage/Pollution severity	6kV/3			8kV/3			8kV/3			6kV/3			6kV/3			6kV/3			6kV/3			
Cross-connection I _{max}	I _{max} :26A			I _{max} :34A			I _{max} :76A			I _{max} :26A			I _{max} :32A			I _{max} :26A			I _{max} :32A			
Clampable conductors(mm²)																						
Solid	0.2.....4			0.2.....6			0.5.....16			0.2.....4			0.2.....4			0.2.....4			0.2.....4			
Stranded	0.2.....2.5			0.2.....4			0.5.....10			0.2.....2.5			0.2.....4			0.2.....2.5			0.2.....4			
Stranded with ferrule	0.2.....1.5			0.2.....2.5			0.5.....6			0.25.....2.5			0.25.....2.5			0.25.....2.5			0.25.....2.5			
Max. clampable conductors with insertion bridge (Solid/ Stranded)	2.5/2.5			2.5/2.5			16/10			2.5/2.5			4/2.5			2.5/2.5			4/2.5			
Ordering data	Color	Type	Qty	Order No.	Type	Qty	Order No.	Type	Qty	Order No.	Type	Qty	Order No.	Type	Qty	Order No.	Type	Qty	Order No.	Type	Qty	Order No.
	Grey Blue	RCT2.5FOGY	60	811030	RCT4FOGY	60	811031	RCT10FOGY	40	811041	RCT2.5DGY	100	811012	RCT4DGY	100	811013	RCT2.5DLGY	60	811175	RCT4DLGY	40	811176
End cover	Grey Blue	RCP4FO		811077	RCP4FO		811077	Closed housing without cover			Thickness:2.5mm RCP2.5/4D			Thickness:2.5mm RCP2.5/4D			Thickness:2.5mm RCP2.5/4DL			Thickness:2.5mm RCP2.5/4DL		
Small partition	BS3 BSS3	BSS3		811083	BSS3		811083	BSS3		811083	BSS3		811083	BSS3		811083	BSS3		811083	BSS3		811083
Partition plate											RCP4D1 RCP4D2	811072 811084	RCP4D1 RCP4D2	811072 811084	RCP2.5/4DF RCP2.5/4DB	811177 811178	RCP2.5/4DF RCP2.5/4DB	811177 811178	RCP2.5/4DF RCP2.5/4DB	811177 811178	RCP2.5/4DF RCP2.5/4DB	811177 811178
Cross-connection	Terminal Thickness ≤5.2mm	Terminal Thickness ≥6.2mm	2-Pole 3-Pole 4-Pole 10-Pole	CQ2-2.5 CQ3-2.5 CQ4-2.5 CQ10-2.5	811112 811113 811114 811120	CQ2-4 CQ3-4 CQ4-4 CQ10-4	811122 811123 811124 811130	CQ2-10 CQ3-10 CQ4-10 CQ10-10	811142 811143 811144 811150	CQ2-2.5 CQ3-2.5 CQ4-2.5 CQ10-2.5	811112 811113 811114 811120	CQ2-4 CQ3-4 CQ4-4 CQ10-4	811122 811123 811124 811130	CQ2-2.5 CQ3-2.5 CQ4-2.5 CQ10-2.5	811112 811113 811114 811120	CQ2-4 CQ3-4 CQ4-4 CQ10-4	811122 811123 811124 811130	CQ2-2.5 CQ3-2.5 CQ4-2.5 CQ10-2.5	811112 811113 811114 811120	CQ2-4 CQ3-4 CQ4-4 CQ10-4	811122 811123 811124 811130	
Insertion bridge	Fully insulated	2-Pole 3-Pole 4-Pole 10-Pole	CQB2-2.5 CQB3-2.5 CQB4-2.5 CQB10-2.5	811212 811213 811214 811220	CQB2-4 CQB3-4 CQB4-4 CQB10-4	811222 811223 811224 811230	CQB2-10 CQB3-10 CQB4-10 CQB10-10	811242 811243 811244 811250	CQB2-2.5 CQB3-2.5 CQB4-2.5 CQB10-2.5	811212 811213 811214 811220	CQB2-4 CQB3-4 CQB4-4 CQB10-4	811222 811223 811224 811230	CQB2-2.5 CQB3-2.5 CQB4-2.5 CQB10-2.5	811212 811213 811214 811220	CQB2-4 CQB3-4 CQB4-4 CQB10-4	811222 811223 811224 811230						
End bracket	VF4/5 RF2	VF4/5 RF2	VF4/5 RF2	811088 811918	VF4/5 RF2	811088 811918	VF4/5 RF2	811088 811918	VF4/5 RF2	811088 811918	VF4/5 RF2	811088 811918	VF4/5 RF2	811088 811918	VF4/5 RF2	811088 811918	VF4/5 RF2	811088 811918	VF4/5 RF2	811088 811918	VF4/5 RF2	811088 811918
Test plug socket			CSB3	811086	CSB3	811086	CSB4	811087	CSB3	811086	CSB3	811086	CSB3	811086	CSB3	811086	CSB3	811086	CSB3	811086	CSB3	811086
Test plug			CPS2.3	811089	CPS2.3	811089	CPS4	811090	CPS2.3	811089	CPS2.3	811089	CPS2.3	811089	CPS2.3	811089	CPS2.3	811089	CPS2.3	811089	CPS2.3	811089
Caution marking			CW3-2.5	811092	CW3-4	811093	CW3-10	811095	CW3-2.5	811092	CW3-4	811093	CW3-2.5	811092	CW3-4	811093	CW3-2.5	811092	CW3-4	811093	CW3-2.5	811092
Screwdriver		Size(thickness* width)	0.6X3.5		0.6X3.5		1.0X4.0		0.6X3.5		0.6X3.5		0.6X3.5		0.6X3.5		0.6X3.5		0.6X3.5		0.6X3.5	
Marking tags	Blank	TM10.5/5	811902	TM10.5/6	811903	TM10.5/10	811905	TM10.5/5	811902	TM10.5/6	811903	TM10.5/5	811902	TM10.5/6	811903	TM10.5/5	811902	TM10.5/6	811903	TM10.5/5	811902	
	Marking direction: horizontal	TM10.5/5H	811912	TM10.5/6H	811913	TM10.5/10H	811915	TM10.5/5H	811912	TM10.5/6H	811913	TM10.5/5H	811912	TM10.5/6H	811913	TM10.5/5H	811912	TM10.5/6H	811913	TM10.5/5H	811912	
	Marking direction: vertical	TM10.5/5V	811922	TM10.5/6V	811923	TM10.5/10V	811925	TM10.5/5V	811922	TM10.5/6V	811923	TM10.5/5V	811922	TM10.5/6V	811923	TM10.5/5V	811922	TM10.5/6V	811923	TM10.5/5V	811922	



RCT2.5/3L

Dimensions				
Width/Length/Height (mm)	*	90/5.2/ (77.5/85)		
Stripping Length(mm)/Clamping screw/Tightening torque	▲	8/M3/0.6-0.8		
Rated data				
Rated Voltage/Rated current/Rated cross-section		500V/32A/2.5mm ²		
Rated impulse voltage/Pollution severity		6kV/3		
Cross-connection I _{max}		I _{max} :26A		
Clampable conductors(mm²)				
Solid		0.2.....4		
Stranded		0.2.....2.5		
Stranded with ferrule		0.2.....1.5		
<small>Max. clampable conductors with insertion bridge (Solid/ Stranded)</small>				
		2.5/2.5		
Ordering data				
	Color	Type	Qty	Order No.
	Grey	RCT2.5/3L	25	811021
	Blue			
End cover				
	Grey	RCP2.5/3L	50	811310
	Blue			
Small partition				
		BS3		
Partition plate				
Plug-in bridge				
	2-Pole	RPL2-2.5		815112
	3-Pole	RPL3-2.5		815113
	4-Pole	RPL4-2.5		815114
	10-Pole	RPL10-2.5		815120
Insertion bridge				
	Fully insulated 2-Pole	CQB2-2.5		811212
	3-Pole	CQB3-2.5		811213
	4-Pole	CQB4-2.5		811214
	10-Pole	CQB10-2.5		811220
End bracket				
	VF4/5	VF4/5		811088
	RF2	RF2		811918
Test plug socket				
Test plug				
		CPS2.3		811089
Caution marking				
Screwdriver				
	Size(thickness* width)	0.6X3.5		
Marking tags				
	Blank	TM10.5/5		811902
	Marking direction: horizontal	TM10.5/5H		811912
	Marking direction: vertical	TM10.5/5V		811922



RMT6T Micro test

Dimensions				
Width/Length/Height (mm)	*	51/8.0/ (53.7/61.2)		
Stripping Length(mm)/Clamping screw/Tightening torque	▲	10/M4/1.2-1.5		
Rated data				
Rated Voltage/Rated current/Rated cross-section		500V/57A/6mm ²		
Rated impulse voltage/Pollution severity		6kV/3		
Cross-connection I _{max}				
Clampable conductors(mm²)				
Solid		0.2.....10		
Stranded		0.2.....6		
Stranded with ferrule		0.2.....6		
Ordering data				
	Color	Type	Qty	Order No.
	Grey	RMT6T	60	861051
	Blue			
End cover				
	Grey			Closed housing without cover
	Blue			
Small partition				
		BS3		
Partition plate				
		RMP6T	50	861061
Cross-connection				
	2-Pole	RQ2-6T/E		810192
	3-Pole	RQ3-6T/E		810193
	4-Pole	RQ4-6T/E		810194
	10-Pole	RQ10-6T/E		810200
Insertion bridge				
	Fully insulated 2-Pole	QB2-6		810232
	3-Pole	QB3-6		810233
	4-Pole	QB4-6		810234
	10-Pole	QB10-6		810240
End bracket				
	VF4/5	VF4/5		811088
	RF2	RF2		811918
Test plug socket				
Test plug				
		CPS4		861090
Caution marking				
Screwdriver				
	Size(thickness* width)	0.6X3.5		
Marking tags				
	Blank	TM9.5/8		851903
	Marking direction: horizontal	TM9.5/8H		851913
	Marking direction: vertical	TM9.5/8V		851923



	RCT1.5PE Ground	RCT2.5PE Ground	RCT4PE Ground	RCT35EPE Ground	RCT35PE Ground	RCT2.5EPE Ground	RCT4D-PE Double level
Dimensions							
Width/Length/Height (mm) *	42.5/4.2/(42/47)	42.5/5.2/(47/52)	42.5/6.2/(47/52)	55.5/15.2/(53/57)	50/15.2/(62/67)	42.5/6.2/(42/47)	56.4/6.2/(62.3/67.1)
Insulation stripping length(mm)	7	8	9	16	15	8	8
Clamping screw: Specification/Tightening torque range(Nm)▲	M2/0.22-0.25	M3/0.6-0.8	M3/0.6-0.8	M6/3.2-3.7	M6/3.2-3.7	M3/0.6-0.8	M3/0.6-0.8
Center screw: Specification/Tightening torque range(Nm) ▲	M2/0.22-0.25	M2.5/0.5-0.6	M3/0.6-0.8	M5/2.5-3.0	M5/2.5-3.0	M3/0.6-0.8	M3/0.6-0.8
Rated data							
Rated Voltage/Rated current/Rated cross-section	-/-/1.5mm ²	-/-/2.5mm ²	-/-/4mm ²	-/-/35mm ²	-/-/35mm ²	-/-/2.5mm ²	-/-/4mm ²
Rated impulse voltage/Pollution severity	6/3	8/3	8/3	8/3	8/3	8/3	8/3
Clampable conductors(mm²)							
Solid	0.14.....1.5	0.2.....4	0.2.....6	0.75.....16	0.75.....16	0.2.....4	0.2.....6
Stranded	0.14.....1.5	0.2.....2.5	0.2.....4	0.75.....35	0.75.....35	0.2.....2.5	0.2.....4
Stranded with ferrule	0.14.....0.75	0.2.....1.5	0.2.....2.5	0.75.....35	0.75.....35	0.2.....1.5	0.2.....2.5

Ordering data	Type	Qty	Order No.	Type	Qty	Order No.	Type	Qty	Order No.	Type	Qty	Order No.	Type	Qty	Order No.	Type	Qty	Order No.			
	RCT1.5PE	120	811051	RCT2.5PE	80	811052	RCT4PE	80	811053	RCT35EPE	20	811060	RCT35PE	20	811057	RCT2.5EPE	50	811058	RCT4D-PE	50	811318

Screwdriver	Size(thickness* width)	Type	Qty	Order No.	Type	Qty	Order No.	Type	Qty	Order No.	Type	Qty	Order No.	Type	Qty	Order No.						
	0.4X2.5	TM8.5/4		811901	TM10.5/5		811902	TM10.5/6		811903	TM10.5/10		811905	TM10.5/10		811905	TM10.5/6		811903	TM10.5/6		811903
	0.6X3.5	TM8.5/4H		811911	TM10.5/5H		811912	TM10.5/6H		811913	TM10.5/10H		811915	TM10.5/10H		811915	TM10.5/6H		811913	TM10.5/6H		811913
	0.6X3.5	TM8.5/4V		811921	TM10.5/5V		811922	TM10.5/6V		811923	TM10.5/10V		811925	TM10.5/10V		811925	TM10.5/6V		811923	TM10.5/6V		811923



	RCT6PE Ground	RCT10PE Ground	RCT16PE Ground	RCT10TO-PE Ground
Dimensions				
Width/Length/Height (mm) *	42.5/8.2/(47/52)	42.5/10.2/(47/52)	42.5/12.2/(54/59)	56.5/10.2/(59/64)
Insulation stripping length(mm)	10	10	11	11
Clamping screw: Specification/Tightening torque range(Nm)▲	M4/1.5-1.8	M4/1.5-1.8	M4/1.5-1.8	M4/1.5-1.8
Center screw: Specification/Tightening torque range(Nm) ▲	M4/1.5-1.8	M4/1.5-1.8	M4/1.5-1.8	M4/1.5-1.8
Rated data				
Rated Voltage/Rated current/Rated cross-section	-/-/6mm ²	-/-/10mm ²	-/-/16mm ²	-/-/10mm ²
Rated impulse voltage/Pollution severity	8/3	8/3	8/3	8/3
Clampable conductors(mm²)				
Solid	0.2.....10	0.5.....16	2.5.....16	0.5.....16
Stranded	0.2.....6	0.5.....10	4.....16	0.5.....10
Stranded with ferrule	0.2.....6	0.5.....6	4.....16	0.5.....6

Ordering data	Type	Qty	Order No.	Type	Qty	Order No.	Type	Qty	Order No.	Type	Qty	Order No.
	RCT6PE	60	811054	RCT10PE	50	811055	RCT16PE	30	811056	RCT10TO-PE	40	811291

Screwdriver	Size(thickness* width)	Type	Qty	Order No.	Type	Qty	Order No.	Type	Qty	Order No.	Type	Qty	Order No.
	1.0X4.0	TM10.5/8		811904	TM10.5/10		811905	TM10.5/10		811905	TM10.5/10		811905
	1.0X4.0	TM10.5/8H		811914	TM10.5/10H		811915	TM10.5/10H		811915	TM10.5/10H		811915
	1.0X4.0	TM10.5/8V		811924	TM10.5/10V		811925	TM10.5/10V		811925	TM10.5/10V		811925

	clamping with end bracket	RTM15E Marking system	RTM15 Marking clamp			
Dimensions						
Width/Length/Height (mm)		44/15.5/(46.4/51.2)	46/9.5/(Height adjustable)			
Marking area		40×12 mm ²	40×7 mm ²			
		marking terminal groups mounted on mounting rail and	identifying terminal blocks by clamping with end bracket VF4/5			
Ordering data	Type	Qty	Order No.	Type	Qty	Order No.
	RTM15E	50	811585	RTM15	50	811586